



Dear customer,

Thank you very much for choosing the Antec Flux Pro Noctua Edition! Our NF-A14x25 G2 and NF-A12x25 G2 fans enable the Noctua Edition to provide even better quiet cooling performance than the award-winning standard version of the Flux Pro.

In order to give you maximum flexibility in choosing your preferred fan configuration and fan mounting mechanism as well as to ensure proper protection of the fans during shipping, we have chosen not to pre-install the fans in the chassis.

We are including both fan screws and our NA-AV4 anti-vibration mounts for fan installation. While the anti-vibration mounts provide extra vibration damping and are our recommendation for achieving maximum quietness of operation, they are not suited for the severe shocks that can occur due to drops in shipping. Therefore, please use the supplied screws for installation if you plan to have your system shipped or transported.

While we recommend a specific fan configuration (see below) for air-cooled builds or systems that use water cooling radiators at the top, not having the fans pre-installed also enables you to easily install radiators at the front of the case without having to remove the fans first.

Finally, our NF-A14x25 G2 and NF-A12x25 G2 fans are high-precision devices that are protected with paper inlays during shipping. By shipping the fans in a separate box rather than pre-installed, we can make sure that they are properly cushioned and that the protective papers will stay in place during shipping.

For your convenience, we have pre-installed the NA-FH1 fan hub and pre-routed all the required fan extension cables. We have also prepared this short manual as well as a detailed video tutorial that will show you where and how to install the fans.

Enjoy the quietness and performance of your Antec Flux Pro Noctua Edition!

Yours sincerely,

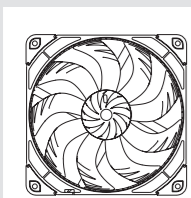
Roland Mossig, Noctua CEO

## Video tutorial

We have prepared a detailed video tutorial that walks you through the recommended fan configurations and the installation procedure using both anti-vibration mounts and screws:  
[noctua.at/antec-fan-config](https://noctua.at/antec-fan-config)



## Box contents



2x NF-A14x25 G2 PWM PPA (1475rpm)



1x NF-A12x25 G2 PWM PPA (1750rpm)



36x NA-AV4 anti-vibration mounts



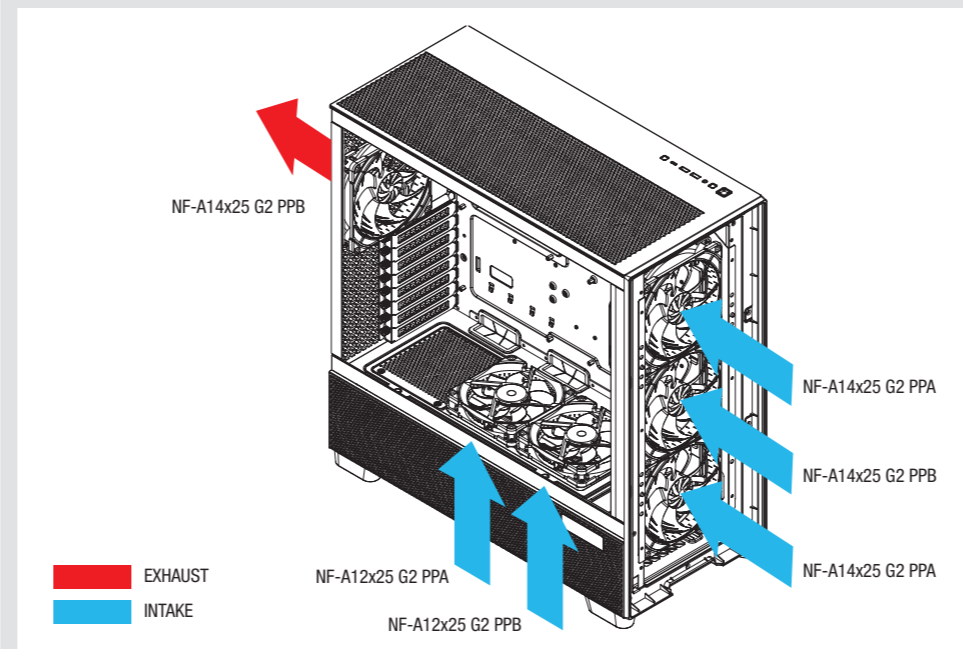
36x fan screws

2x NF-A14x25 G2 PWM PPB (1525rpm)

1x NF-A12x25 G2 PWM PPB (1850rpm)

## 1 Fan configuration

For air-cooled builds or water-cooled builds with a radiator at the top, we recommend installing three NF-A14x25 G2 as front intake fans, the fourth NF-A14x25 G2 as rear exhaust and the two NF-A12x25 G2 as intake fans blowing up from the front two positions of the PSU shroud. All supplied fans are slightly offset in speed to avoid undesirable phenomena such as periodic humming or vibrations due to beat frequencies. Slower spinning units are labelled PPA, and faster spinning units are labelled PPB. Please alternate between PPA and PPB fans where two fans of the same size are placed next to each other. For example, for the three front intake fans, please use a PPA/PPB/PPA pattern:

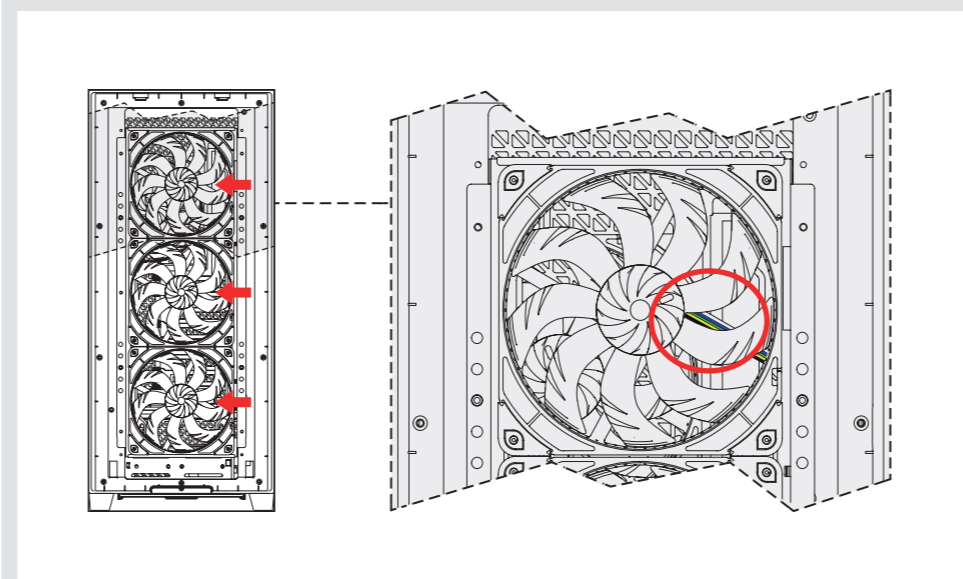


If you are unsure about the airflow direction of the fans, you can identify it by the arrows on the side of the fan frame or by referring to the model stickers, which are always on the outlet side of the fans.

If you install a liquid cooling radiator at the front but no radiator at the top, we recommend installing three of the supplied NF-A14x25 G2 fans as top exhaust fans in a PPA/PPB/PPA pattern.

## 2 Fan installation

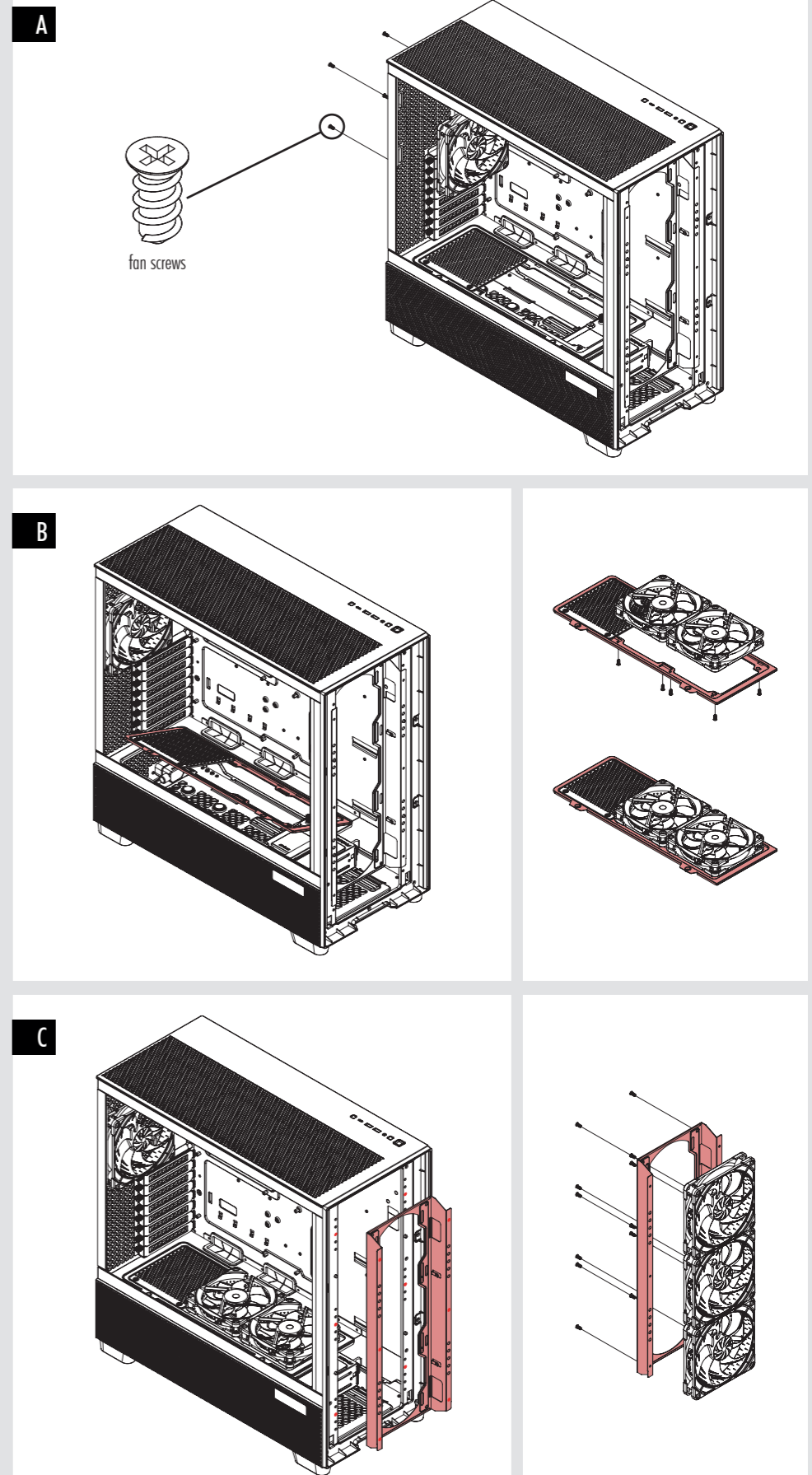
For easy cabling, we recommend installing all fans in such a way that the cable exit is towards the right-hand side case panel (when viewed from the front). This way, it will be easy to connect the fans directly to the NA-FH1 fan hub or to the pre-installed extension cables.



The fans can be installed using either the supplied NA-AV4 anti-vibration mounts for reducing structure-borne noise transmission or screws for maximum safety during shipping or transport. We recommend using the anti-vibration mounts for optimal acoustics, but if you plan to transport or ship your system, please use screws for fan installation.

Regardless of the installation method, you can facilitate the installation process by first removing the front, top and bottom cooling brackets of the case, then mounting the fans to these brackets and finally re-installing the brackets. Please refer to the case manual (p. 28-30) in the accessory box for details.

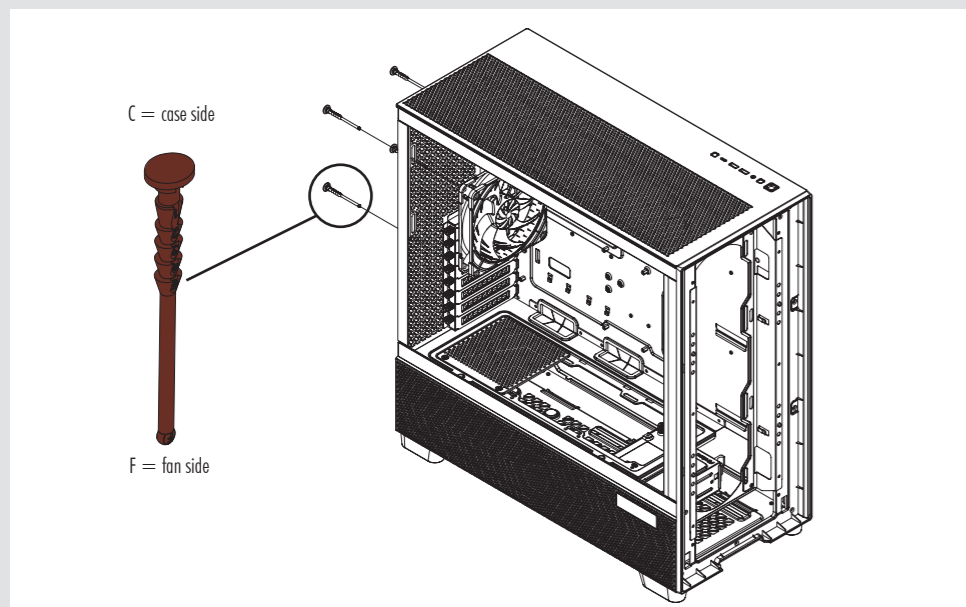
### Fan installation using fan screws





To install the fans using the NA-AV4 anti-vibration mounts, first pull the mounts through the mounting slots or holes of the cooling bracket, then pull them through the mounting holes of the fan.

### Fan installation using NA-AV4 anti-vibration mounts

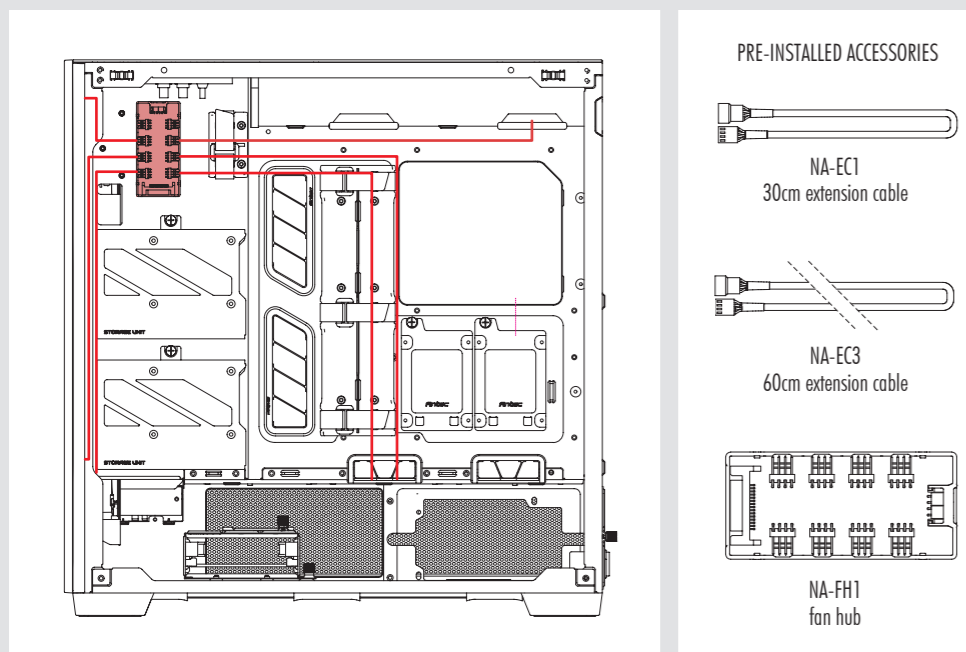


To install the fans using the NA-AV4 anti-vibration mounts, first pull the mounts through the mounting slots or holes of the cooling bracket, then pull them through the mounting holes of the fan.

When using screws for mounting, please make sure not to overtighten the screws. Do not use more than 0.6 Nm of torque.

## 3 Wiring setup

The Antec Flux Pro Noctua Edition comes pre-wired for the default fan configuration with three intake fans at the front, one rear exhaust fan and two intake fans on top of the PSU shroud. For this setup, please connect the front top fan straight to port 5 on the NA-FH1 fan hub. Then connect the bottom and centre front fans to the pre-routed extension cables. Connect the PSU shroud fans and the rear fan to the pre-routed extension cables as well.



Finally, connect the PWM input cable of the NA-FH1 to your preferred motherboard PWM fan header - and one of your power supply's S-ATA cables to the S-ATA power input port of the NA-FH1.

## 4 Setting fan curves

For an optimal balance of quietness of operation and ventilation performance in different workload scenarios, we recommend setting temperature-based fan curves either in the BIOS or using software like Fan Control (<https://getfancontrol.com>).

While fan curves should be tailored to individual system configurations to achieve the best possible results, we have prepared some Fan Control profiles for download that have worked well with our test configurations in the Antec Flux Pro Noctua Edition.

Access the following link to download our recommended fan curves, get guidance on how to set similar curves in the BIOS and learn how you can further optimise acoustics by tailoring these curves to your individual system configuration: <https://noctua.at/antec-fan-curves>



FAN CURVE GUIDE

The Antec Flux Pro Noctua Edition takes Antec's award-winning Flux Pro case and upgrades it with Noctua's latest NF-A14x25 G2 and NF-A12x25 G2 flagship fans for even better low-noise cooling performance – an ideal basis for ultra-quiet high-end builds.

Antec's Flux Pro chassis is renowned for its excellent ventilation capabilities, yet the Noctua Edition further improves its outstanding performance-to-noise efficiency, achieving up to 8dB(A) lower noise levels while keeping internal components at similar temperatures. This is made possible by Noctua's state-of-the-art NF-A14x25 G2 and NF-A12x25 G2 fans, which provide superior quietness of operation at the same airflow delivery.

Adjacent fans are offset in speed to avoid undesirable harmonic phenomena such as vibrations or periodic humming, and for further acoustic optimisation, customers can install the fans using the included NA-AV4 anti-vibration mounts. Alternatively, the fans can also be installed using screws for maximum safety during shipping or transport.

In addition to Noctua's latest G2 series fans, the Antec Flux Pro Noctua Edition also integrates the premium-grade NA-FH1 fan hub, which enables all fans to be speed-controlled through a single motherboard fan header. The NA-FH1 comes pre-installed, and all the required fan extension cables are pre-routed for maximum convenience.

Besides its class-leading cooling performance, the Flux Pro has received critical acclaim for its high build quality, well-thought-out layout, comprehensive feature-set and adaptability, making it a fantastic basis for both air- and water-cooled builds of any kind. Whether it's a hardcore gaming rig or a high-end workstation – building it within the Flux Pro will be a pleasure.

Reflecting its inner virtues on the outside, the Flux Pro Noctua Edition comes with dark brown accents on the side and top panel as well as brown silicone grommets and subtly placed Noctua logos on the top, side and front. Wearing its colours with pride, the Antec Flux Pro Noctua Edition is the perfect choice for everyone who wants to build a high-performance system that runs as quiet as possible.

**FLUX PRO**

**NOCTUA EDITION**

## P.2 CONTENTS AND ACCESSORIES

Inhalt und Zubehör | Contenu et Accessoires | Contenuto e Accessori | Contenido y Accesorios | 商品与配件 | 内容物與配件 | 내용물 및 부속품 | 内容と付属品

## P.6 PRODUCT INTRODUCTION

Produktübersicht | Introduction Au Produit | Introduzione Del Prodotto | Presentación Del Producto | 產品介紹 | 产品介绍 | 제품 소개 | 商品紹介

## P.12 COMPATIBILITY

Kompatibilität | Compatibilité | Compatibilità | Compatibilidad | 相容性 | 兼容性 | 호환성 | 互換性

## P.16 INSTALLATION GUIDE

Installationsanleitung | Guide D'installation | Guida All'installazione | Guía De Instalación | 安裝指南 | 安装指南 | 설치 안내 | 設置のガイド

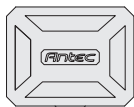
## P.40 ANTEC IUNITY SOFTWARE GUIDE

Antec iUnity Software Guide | Guide logiciel du Antec iUnity | Guida al software iUnity di Antec | Guía Software De Antec iUnity | 安钛克 iUnity軟體指南 | 安钛克 iUnity软件指南 | Antec iUnity 소프트웨어 가이드 | ANTEC iUnity 소프트웨어

# ACCESSORY BOX CONTENTS

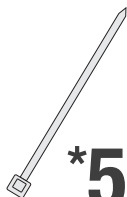
Packungsinhalt | Contenu de l'Emballage | Contenuto della confezione | Contenido del paquete | 配件盒内容物 | 产品 | 포장 내용물 | パッケージの内容

**A** Tool Box



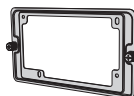
**\*1**

**B** Cable Tie



**\*5**

**C** Power Supply Bracket



**\*1**

**D** PSU Shroud Cover



**\*2**

**E** NP-KC1



**\*1**

## Toolbox Contents

**F** Motherboard Screws/  
2.5" SSD Screws**\*26****G** Power Supply Screws**\*4****H** Standoffs**\*3****I** 3.5" HDD Screws**\*8****J** Standoff Mounting Tool**\*1****K** PSU Extension  
Cable Screws**\*2****L** PSU Shroud  
Cover Screws**\*4**

# FAN KIT BOX CONTENTS

Contenu de la boîte du kit de ventilateurs | Lieferumfang des Lüfter-Kits | Contenuto della confezione del kit di ventole | Contenido de la caja del kit de ventiladores | 風扇套件盒內容物 | 風扇套件盒內容物 | 팬 키트 박스 구성품 | ファンキットの箱の内容物

**M** NF-A14x25 G2 PWM PPA



**\*2**

**N** NF-A14x25 G2 PWM PPB



**\*2**

**O** NF-A12x25 G2 PWM PPA



**\*1**

**P** NF-A12x25 G2 PWM PPB



**\*1**

**Q** NA-AV4 V2

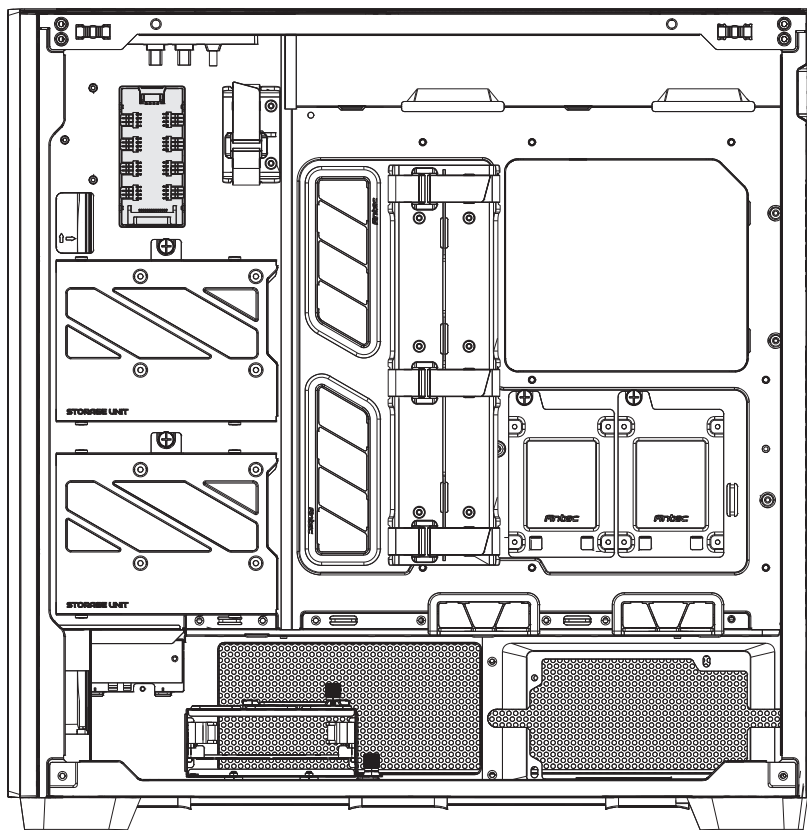


**\*36**

**R** NM-SFS1-BK

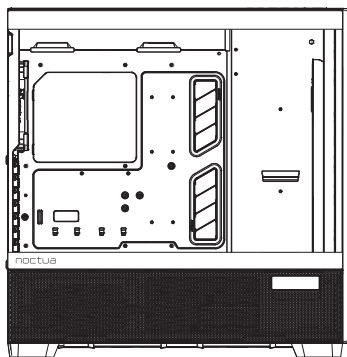
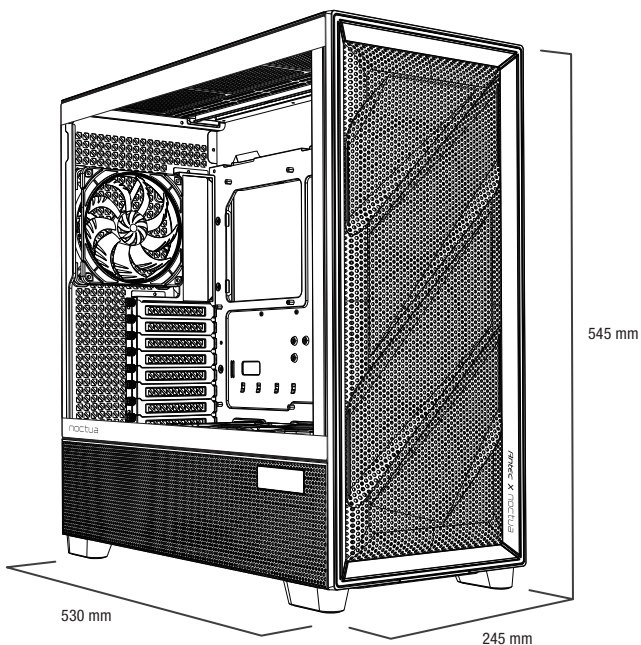


**\*36**

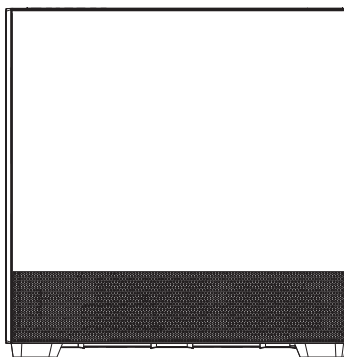
**S** NOCTUA NA-FH1 (on case)

# CASE OVERVIEW

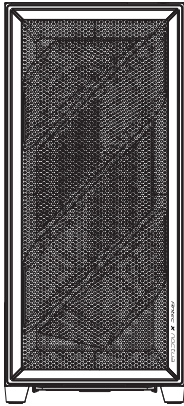
Gehäuseübersicht | Vue d'Ensemble du Boîtier | Vista generale del contenitore | Información de la caja | 机箱概述 | 产品特点 | 케이스 개요 | 케이스概要



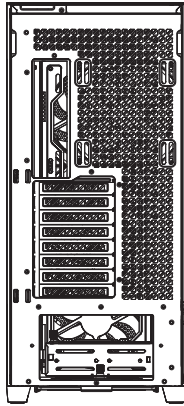
Left Side



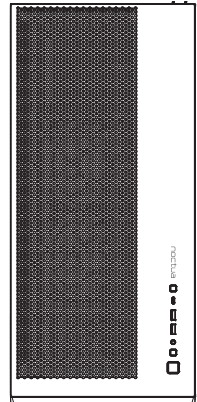
Right Side



Front



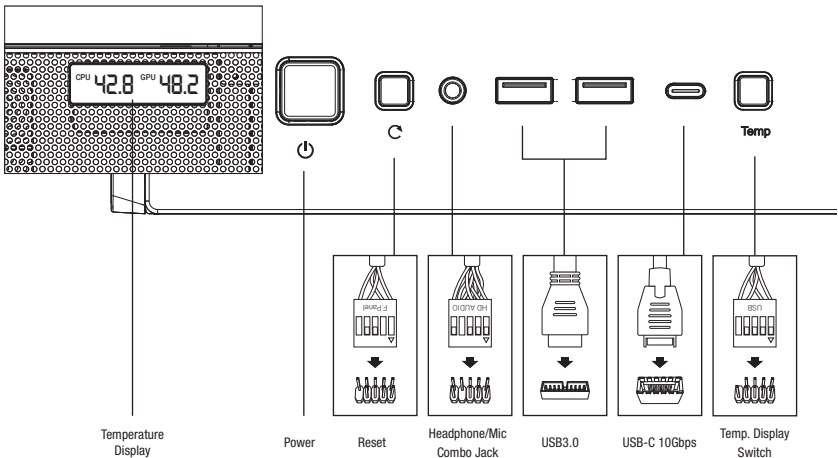
Rear



Top

## I/O PANEL

Anschlüsse und Tasten | Connecteurs et Boutons | Connettori e pulsanti | Conectores y botones | I/O接口 | I/O端口 | 커넥터 및 버튼 | コネクタとボタン



FLUX PRO NOCTUA EDITION

# PARTS

Komponenten | Pièces | Parti | Partes | 機箱結構 | 机箱结构 | 부품 | 部品

## 1 Case Body

Gehäusekorpus | Corps du Boîtier | Corpo contenitore | Cuerpo de la caja | 機箱結構 | 机箱 | 케이스 본체 | ケース本体

## 2 Side Tempered Glass Panel

Seitenteil aus gehärtetem Glas | Panneau Latéral en Verre Trempé | Pannello laterale in vetro temperato | Panel lateral de cristal templado | 側面鋼化玻璃面板 | 鋼化玻璃側面板 | 측면 강화 유리 패널 | サイド強化ガラスパネル

## 3 Side Panel

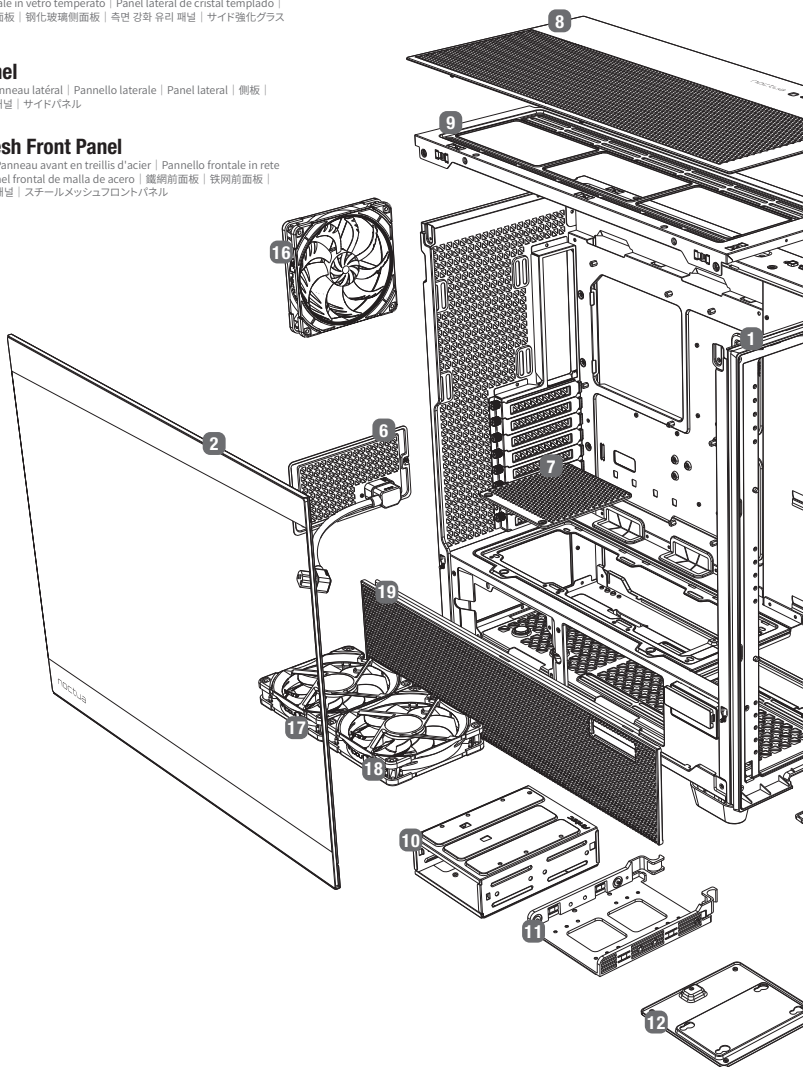
Seitenteil | Panneau latéral | Pannello laterale | Panel lateral | 側板 | 側板 | 사이드 패널 | サイドパネル

## 4 Steel Mesh Front Panel

Mesh-Front | Panneau avant en treillis d'acier | Pannello frontale in rete d'acciaio | Panel frontal de malla de acero | 鐵網前面板 | 铁网前面板 | 스틸 메쉬 전면 패널 | 스틸메쉬프론트패널

## 5 Cooling Bracket

Kühlhalterung | Support de refroidissement | Staffa di raffreddamento | Soporte de enfriamiento | 散熱支架 | 散熱支架 | 냉각 브래킷 | 冷却ブラケット

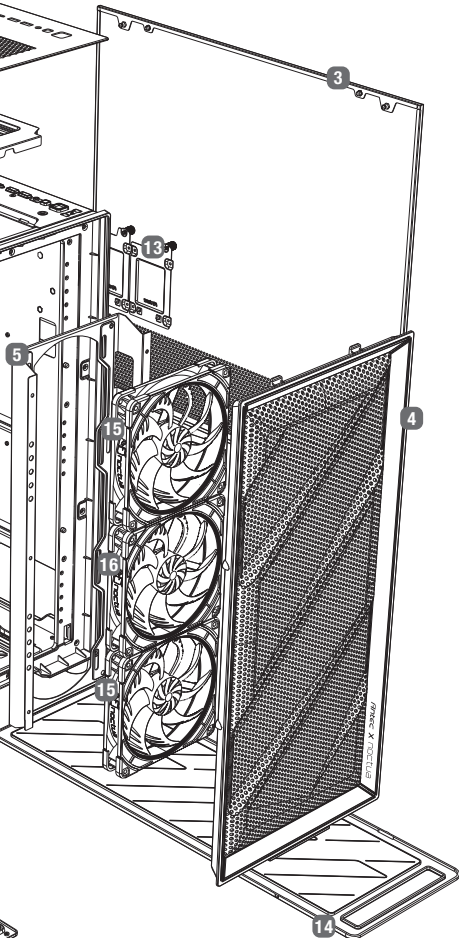


**6 PSU Side Mount Cover**

Seitliche Netzteil-Montageabdeckung | Couverture de montage latéral du bloc d'alimentation | Coperchio per montaggio laterale dell'alimentatore  
| Cubierta de montaje lateral de la fuente de alimentación | 側置電源蓋  
| 側置電源蓋 | PSU 측면 마운트 커버 | PSU사이드마운트커버

**7 PSU Shroud Cover**

Netzteil-Abdeckung | Couverture de protection du bloc d'alimentation | Copertura protettiva dell'alimentatore | Cubierta protectora de fuente de alimentación | 電源倉蓋 | 電源合蓋 | PSU 슈라우드 커버 | PSU슈라우드커버



**8 Top Panel**

Oberes Paneel | Panneau haut | Pannello superiore | Panel de Arriba | 上面板 | 上面板 | 상단 패널 | トップパネル

**9 Removable Top Cooling Bracket**

Abnehmbare obere Kühlanleitung | Support amovible système de refroidissement haut | Staffa di raffreddamento superiore rimovibile  
| Bracket Extraible de Refrigeración de Arriba | 上方可拆式散熱器支架  
| 上方可拆式散熱器支架 | 제거 가능 상단 쿨링 브라켓 | 着脱式の水冷ブラケット

**10 Hard Drive Cage**

Festplattenkäfig | Cage de disque dur | Gabbia per disco rigido | Jaula para disco duro | 硬碟籠 | 硬碟籠 | 하드 드라이브 케이스 | 하드 드라이브케이스

**11 HDD / SSD Tray**

HDD / SSD-Fach | Plateau HDD / SSD | HDD / SSD Tray | Bandeja HDD/SSD | HDD/SSD 硬碟架 | 複合式 硬碟架 | HDD / SSD 트레이 | HDD / SSD 트레이

**12 SSD Tray (can be mounted on any 120mm fan position)**

SSD-Fach (kann an jeder 120-mm-Lüfterposition montiert werden) | Plateau SSD (peut être monté sur n'importe quelle position de ventilateur de 120 mm) | SSD Tray (può essere montato su qualsiasi posizione della ventola da 120 mm) | Bandeja SSD (se puede montar en cualquier posición de ventilador de 120 mm) | SSD 托盤 (兼容 120mm 風扇孔位) | SSD 硬碟架 (兼容 120mm 風扇孔位) | SSD 트레이 (120mm 팬 위치에 장착 가능) | SSD-레이 (120mm 팬의 위치에取り付け 가능)

**13 2.5" SSD (Solid-State Drive) Tray**

2,5-Zoll-SSD-Einschub (Solid-State Drive) | Plateau SSD 2,5" | Tray SSD da 2,5" | Bandeja de 2,5" SSD (Solid-State Drive) | 2.5吋SSD 硬碟架 | 2.5吋SSD 硬碟架 | 2.5吋SSD 硬碟架 | 2.5인치 SSD 트레이 | 2.5" SSD-레이

**14 Bottom Dust Filter**

Unterer Staubfilter | Filtre à poussière du bas | Filtro antipolvere inferiore | Filtro de Polvo de Abajo | 底部濾網 | 底部濾網 | 하단 먼지 필터 | 하단 먼지 필터

**15 Noctua NF-A14x25 G2 PWM PPA fan**

Noctua NF-A14x25 G2 PWM PPA Lüfter | Ventilateur Noctua NF-A14x25 G2 PWM PPA | Ventola Noctua NF-A14x25 G2 PWM PPA | Ventilador Noctua NF-A14x25 G2 PWM PPA | Noctua NF-A14x25 G2 PWM PPA 風扇 | Noctua NF-A14x25 G2 PWM PPA 風扇 | Noctua NF-A14x25 G2 PWM PPA 팬 | Noctua NF-A14x25 G2 PWM PPA 팬

**16 Noctua NF-A14x25 G2 PWM PPB fan**

Noctua NF-A14x25 G2 PWM PPB Lüfter | Ventilateur Noctua NF-A14x25 G2 PWM PPB | Ventola Noctua NF-A14x25 G2 PWM PPB | Ventilador Noctua NF-A14x25 G2 PWM PPB | Noctua NF-A14x25 G2 PWM PPB 風扇 | Noctua NF-A14x25 G2 PWM PPB 風扇 | Noctua NF-A14x25 G2 PWM PPB 팬 | Noctua NF-A14x25 G2 PWM PPB 팬

**17 Noctua NF-A12x25 G2 PWM PPA fan**

Noctua NF-A12x25 G2 PWM PPA Lüfter | Ventilateur Noctua NF-A12x25 G2 PWM PPA | Ventola Noctua NF-A12x25 G2 PWM PPA | Ventilador Noctua NF-A12x25 G2 PWM PPA | Noctua NF-A12x25 G2 PWM PPA 風扇 | Noctua NF-A12x25 G2 PWM PPA 風扇 | Noctua NF-A12x25 G2 PWM PPA 팬 | Noctua NF-A12x25 G2 PWM PPA 팬

**18 Noctua NF-A12x25 G2 PWM PPB fan**

Noctua NF-A12x25 G2 PWM PPB Lüfter | Ventilateur Noctua NF-A12x25 G2 PWM PPB | Ventola Noctua NF-A12x25 G2 PWM PPB | Ventilador Noctua NF-A12x25 G2 PWM PPB | Noctua NF-A12x25 G2 PWM PPB 風扇 | Noctua NF-A12x25 G2 PWM PPB 風扇 | Noctua NF-A12x25 G2 PWM PPB 팬 | Noctua NF-A12x25 G2 PWM PPB 팬

**19 Steel Mesh Left Panel**

Linkes Stahlgitterpaneel | Panneau gauche en treillis d'acier | Pannello sinistro in rete d'acciaio | Panel izquierdo de malla de acero | 左側鐵網面板 | 左側鐵網面板 | 강철 메쉬 왼쪽 패널 | 스틸메쉬 왼쪽 패널

FLUX PRO NOCTUA EDITION

# CASE SPECIFICATIONS

Gehäusespezifikationen | Caractéristiques du Boitier | Specifiche del contenitore | Especificaciones de la caja | 機箱規格 | 机箱规格 | 케이스 사양 | 케이스仕様

## General

Form Factor	Full Tower
Material(s)	Steel + Plastic + Glass + Wood
Side Panel Type	4mm Tempered Glass
Access & Controls	Power, Reset, USB 3.0 x 2, Type-C 10Gbps x 1, Headphone/ Mic Combo Jack, Temp. Display Switch x 1
Dimensions	530 x 245 x 545 mm (DWH)

## Compatibility & Clearances

Motherboard Support	E-ATX(≤285mm), ATX, Micro-ATX, ITX
Max PSU Length(Include cable)	(Include cable) ≤ 180/300mm(with HDD) (Include cable) ≤ 470mm(without HDD) (Not Include cable) ≤ 180mm(Side mount)
Max CPU Cooler Height	≤ 190mm
Max GPU Length	≤ 455mm
Radiator (Front)	120/140/240/280/360/420mm
Radiator (Top)	120/140/240/280/360/420mm
Radiator (Power Supply Shroud)	120/240/360mm
Radiator (Bottom)	120/240mm
Radiator (Rear)	120/140mm

## Expansion Slots & Drive Bays

Expansion Slots	8
3.5" / 2.5"	4 / 4
2.5"	2

## Cooling

Front	3 x 120mm / 3 x 140mm
Top	3 x 120mm / 3 x 140mm
Power Supply Shroud	3 x 120mm
Bottom	2 x 120mm / 2 x 140mm
Rear	1 x 120mm / 1 x 140mm
Included Fan(s)	3 x 140mm Noctua NF-A14x25 G2 fans for the front + 2 x 120mm Noctua NF-A12x25 G2 fans for the PSU shroud + 1 x 140mm Noctua NF-A14x25 G2 fan for the rear
Dust Filter	Bottom

# FAN SPECIFICATIONS

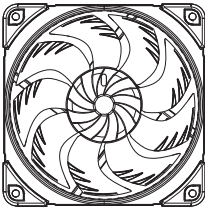
Lüfterspezifikationen | Spécifications ventilateur | Specifiche della ventola | Especificaciones Del Ventilador | 風扇規格 | 風扇規格 | 팬 상세 스펙 | ファンの仕様

## Noctua NF-A14x25 G2 PWM



Fan Type :	Premium Grade Noctua A-Series Fan
Fan Speed :	300~1500 RPM
Input power (max.) :	2.28 W
Operating Voltage :	12 V
Max. input current :	0.19 A

## Noctua NF-A12x25 G2 PWM



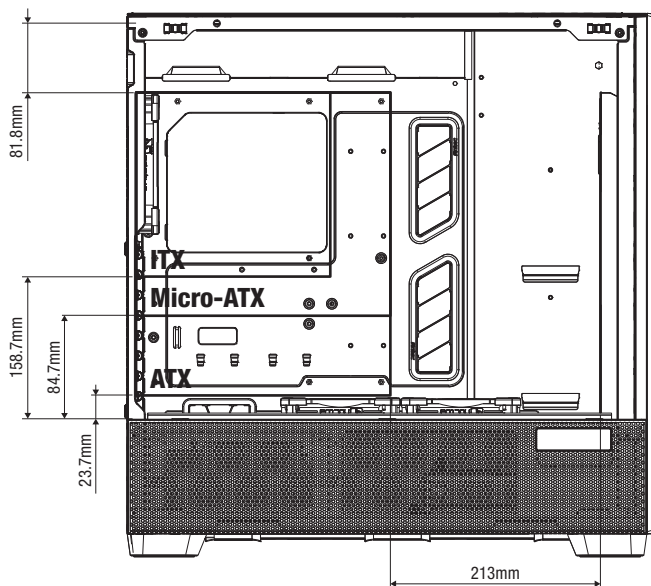
Fan Type :	Premium Grade Noctua A-Series Fan
Fan Speed :	360~1800 RPM
Input power (max.) :	1.8 W
Operating Voltage :	12 V
Max. input current :	0.15 A

FLUX PRO NOCTUA EDITION

# COMPATIBILITY

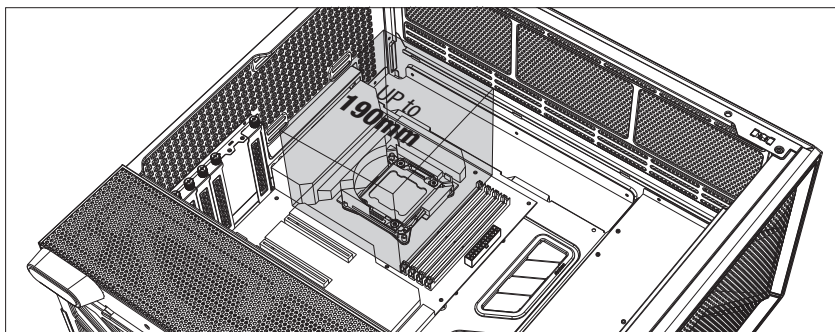
## MAINBOARD

Mainboard | Carte mère | Scheda madre | Placa base | 主機板 | 主板 | 메인보드 | 메인보드



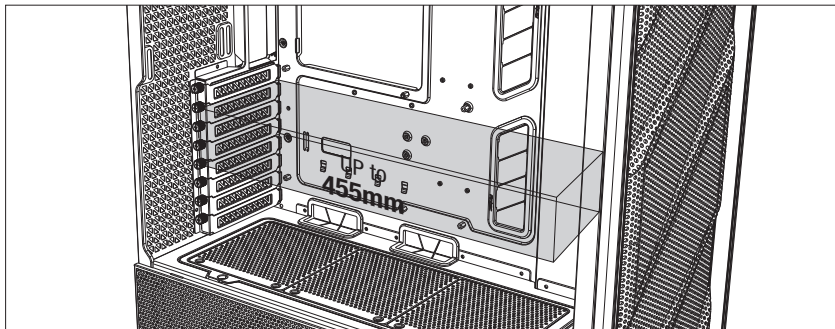
## CPU COOLER

CPU-Kühler | Refroidisseur de processeur | Dissipatore CPU | Enfriador de CPU | CPU 散热器 | CPU 冷却器 | CPU 쿨러 | CPU 쿨러



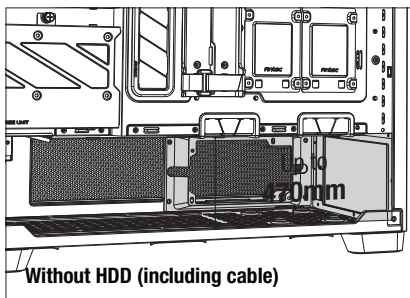
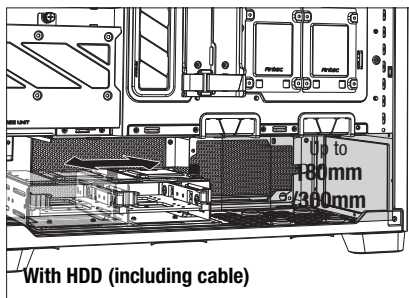
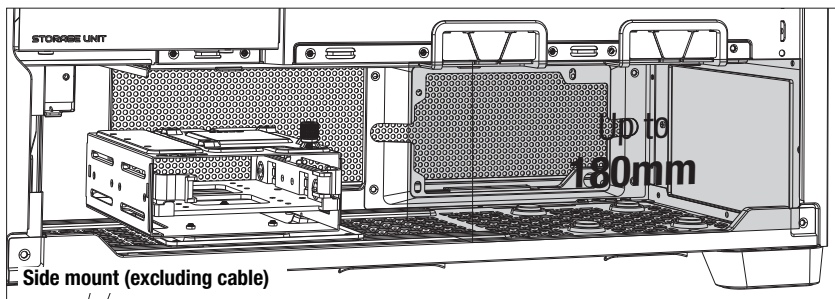
## GPU

Grafikkarte | GPU | Scheda grafica | GPU | 顯示卡 | 显卡 | 그래픽 카드 | 그래픽프로세서



## POWER

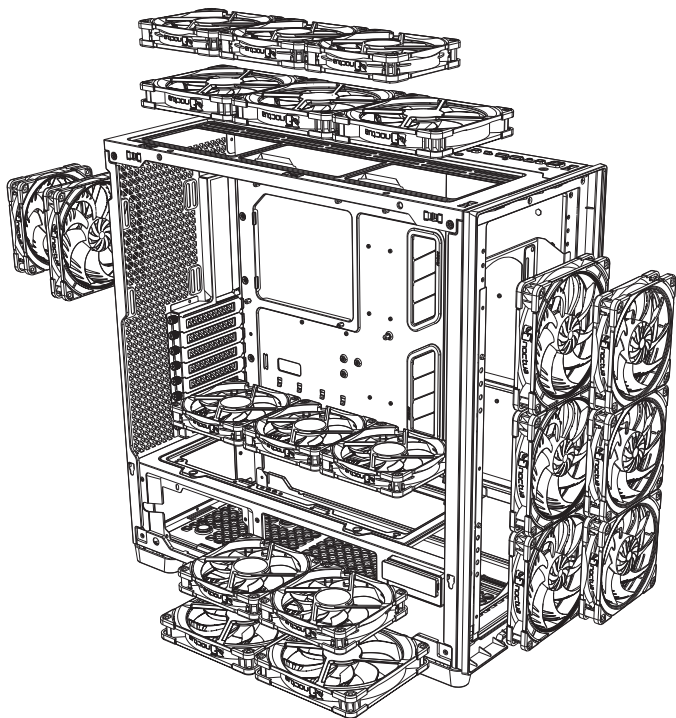
Netzteil | Bloc d'alimentation | Unità di alimentazione | nidad de fuente de alimentación | 電源 | 电源 | 전원공급장치 | 電源



## FAN

Lüfter | Ventilateur | Ventilatore | Ventilador | 風扇 | 风扇 | 팬 | ファン

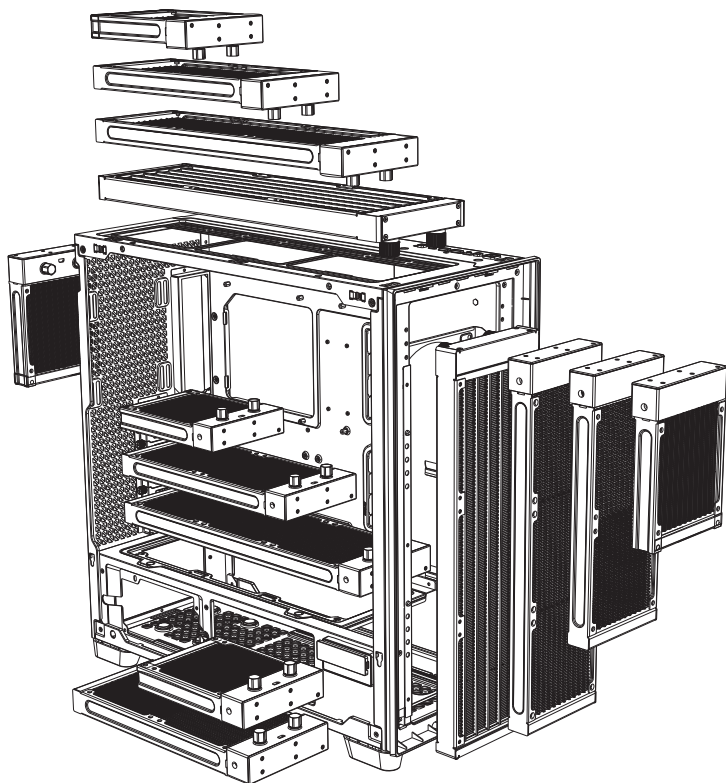
*\*Please refer to the fan installation manual included with the fan kit for the recommended fan placement.*



<b>Front</b>	3 x 120mm / 3 x 140mm
<b>Top</b>	3 x 120mm / 3 x 140mm
<b>PSU</b>	3 x 120mm
<b>Bottom</b>	2 x 120mm / 2 x 140mm
<b>Rear</b>	1 x 120mm / 1 x 140mm

## RADIATOR

Radiator | Radiateur | Radiatore | Radiador | 水冷散热器 | 水冷散热器 | 라디에이터 | ラジエーター

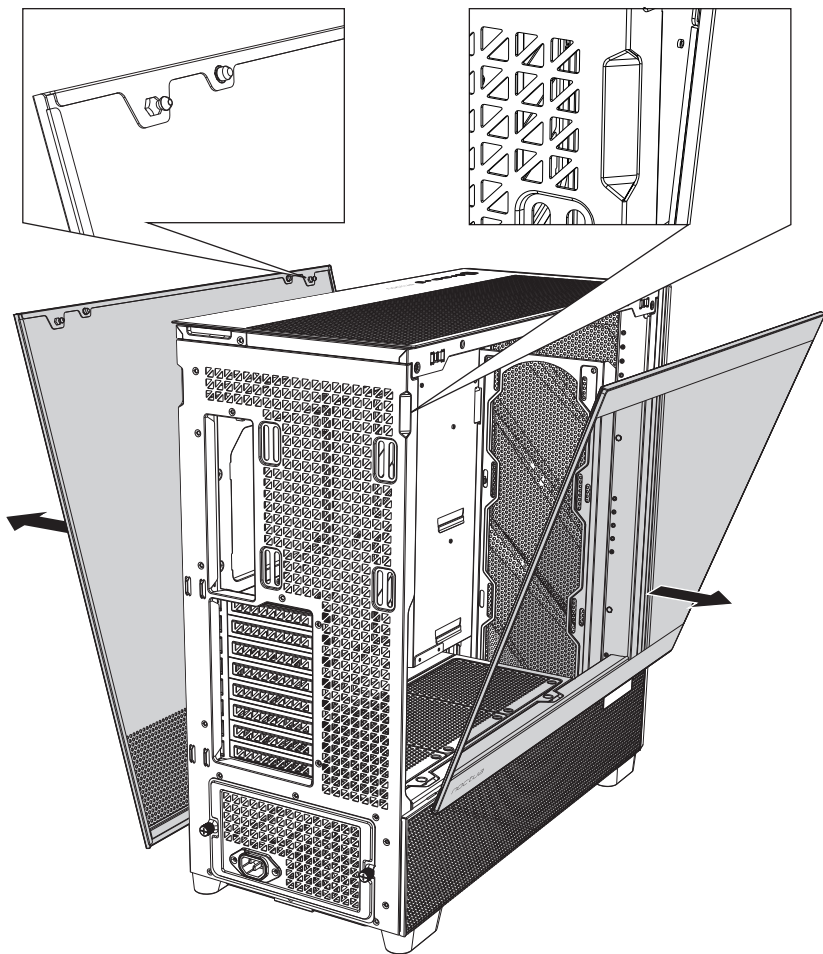


<b>Front</b>	120/140/240/280/360/420mm
<b>Top</b>	120/140/240/280/360/420mm
<b>PSU</b>	120/240/360mm
<b>Bottom</b>	120/240mm
<b>Rear</b>	120/140mm

# INSTALLATION

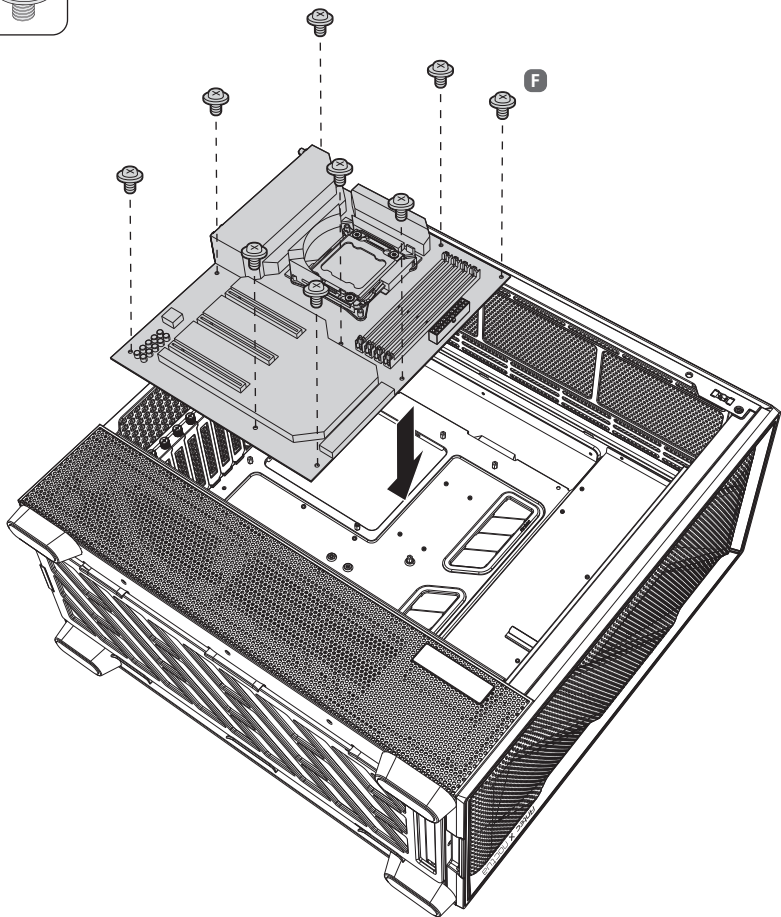
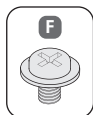
## REMOVE SIDE PANEL

Seitenteil abnehmen | Retirer les Panneaux Latéraux | Rimozione del pannello laterale | Extracción de panel lateral | 拆除側面板 | 拆除側板 | 측면 패널 제거 | 側面のパネルを外す



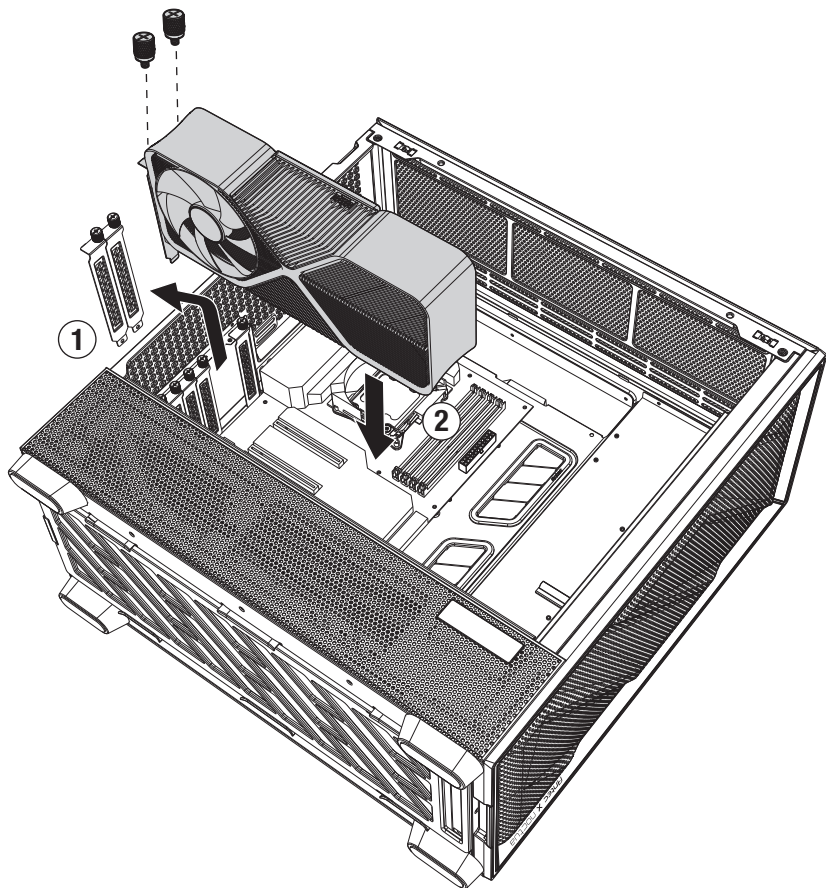
**MOTHERBOARD INSTALLATION**

Installation des Mainboards | Installation de la Carte-Mère | Installazione della scheda madre | Instalación de placa base | 安裝主機板 | 安裝主板 | 메인보드 설치 | 마ザー보드設置



## VGA / PCI-EXPRESS CARD INSTALLATION

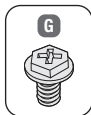
Installation der VGA/PCI-Express-Karte | Installation de la Carte Graphique | Istituzione della scheda VGA / PCI-Express | Instalación de tarjeta VGA/PCI-Express | 安裝VGA/PCI-E卡 | 安裝VGA/PCI-E顯卡 | VGA / PCI-익스프레스 카드 설치 | VGA / PCI-E카드의設置



## POWER SUPPLY INSTALLATION

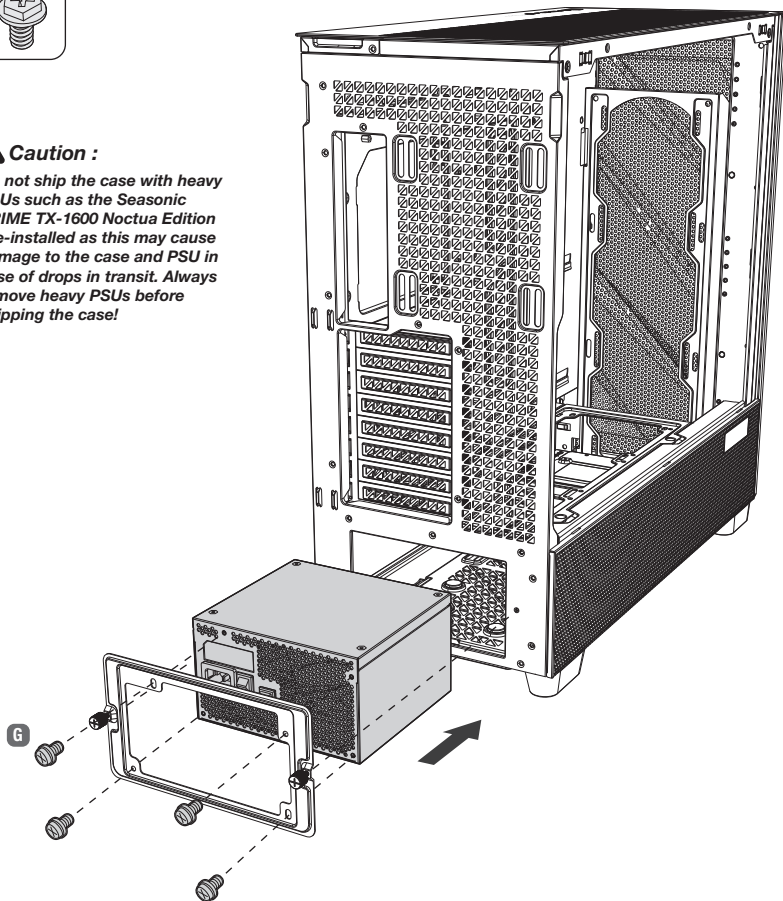
Installation des Netzteils | Installation du Bloc d'Alimentation | Installazione dell'alimentatore di rete | Instalación de fuente de alimentación | 安裝電源供應器 | 安裝電源 | 파워 서플라이 설치 | 電源設置

### [A] REAR MOUNT



#### **⚠ Caution :**

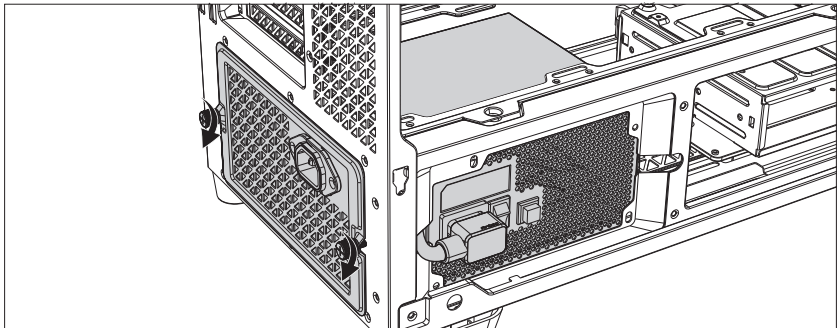
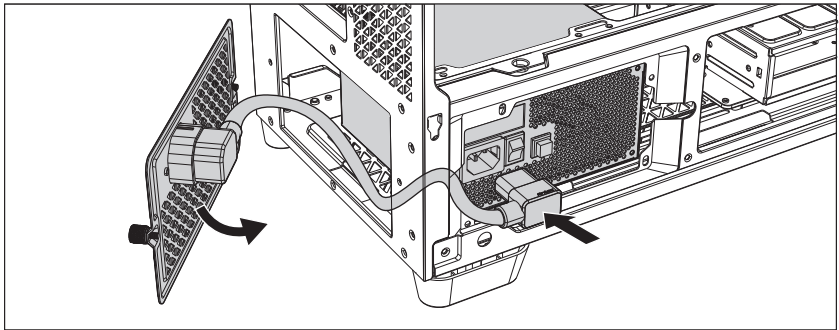
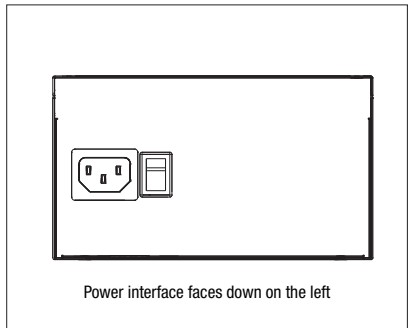
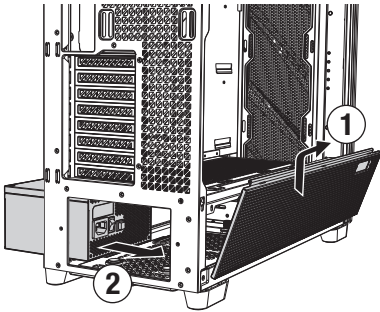
*Do not ship the case with heavy PSUs such as the Seasonic PRIME TX-1600 Noctua Edition pre-installed as this may cause damage to the case and PSU in case of drops in transit. Always remove heavy PSUs before shipping the case!*



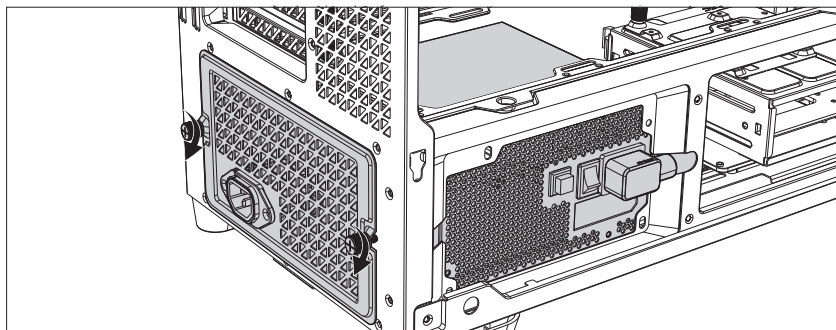
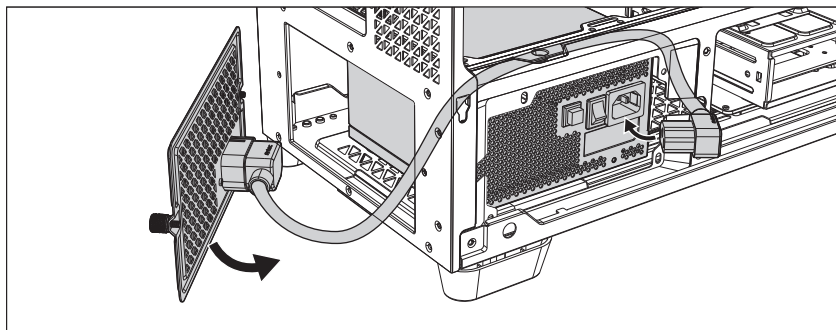
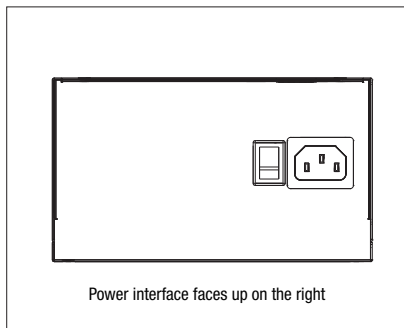
## POWER SUPPLY INSTALLATION

Installation des Netzteils | Installation du Bloc d'Alimentation | Istallazione dell'alimentatore di rete | Instalación de fuente de alimentación | 安裝電源供應器 | 安裝電源 | 파워 서플라이 설치 | 電源設置

### [B] SIDE MOUNT - A



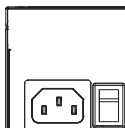
[C] SIDE MOUNT - B



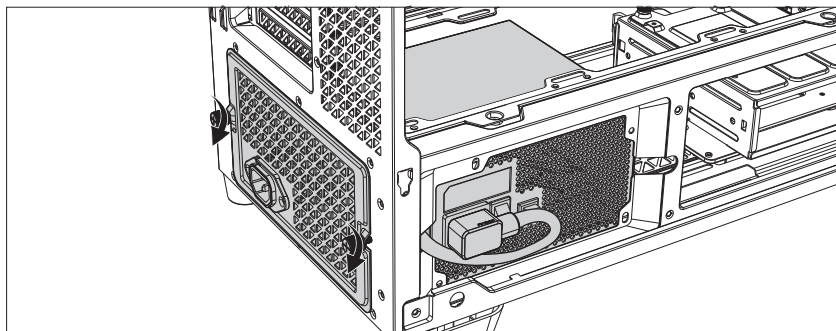
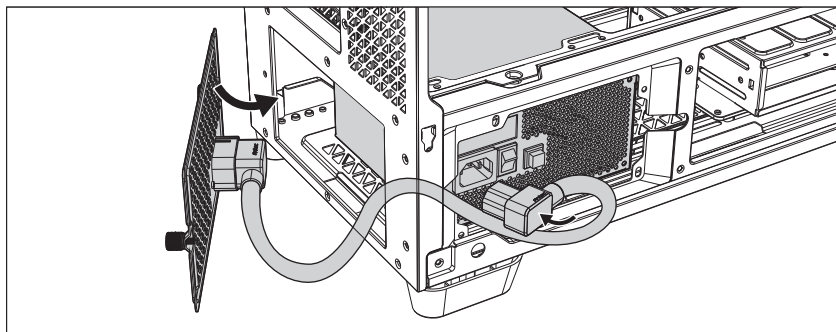
## POWER SUPPLY INSTALLATION

Installation des Netzteils | Installation du Bloc d'Alimentation | Installazione dell'alimentatore di rete | Instalación de fuente de alimentación | 安裝電源供應器 | 安裝電源 | 파워 서플라이 설치 | 電源設置

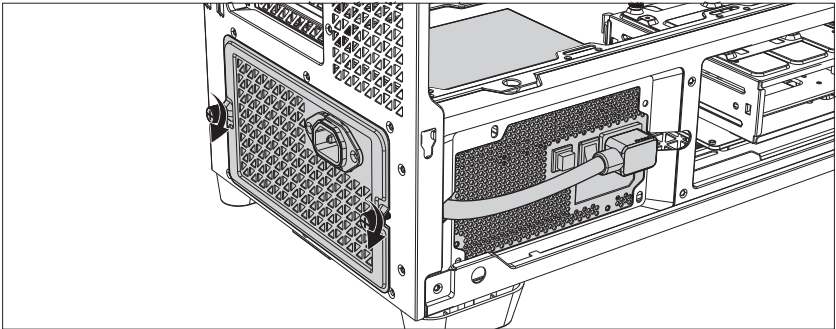
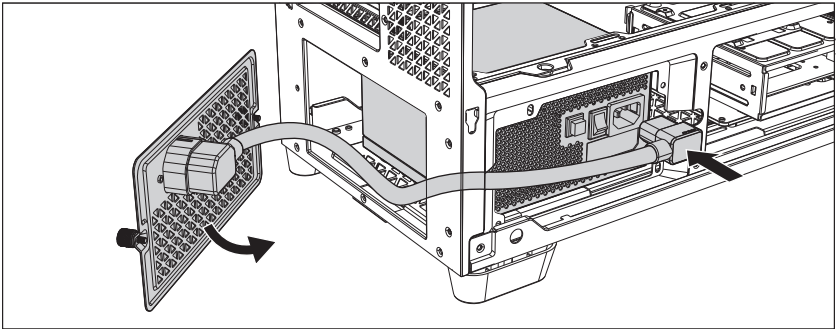
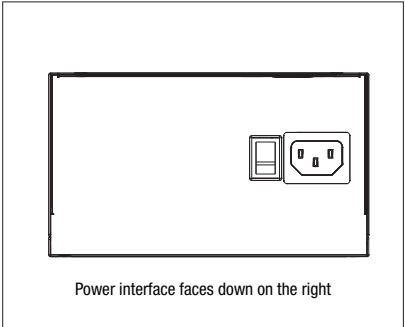
### [D] SIDE MOUNT - C



Power interface faces up on the left



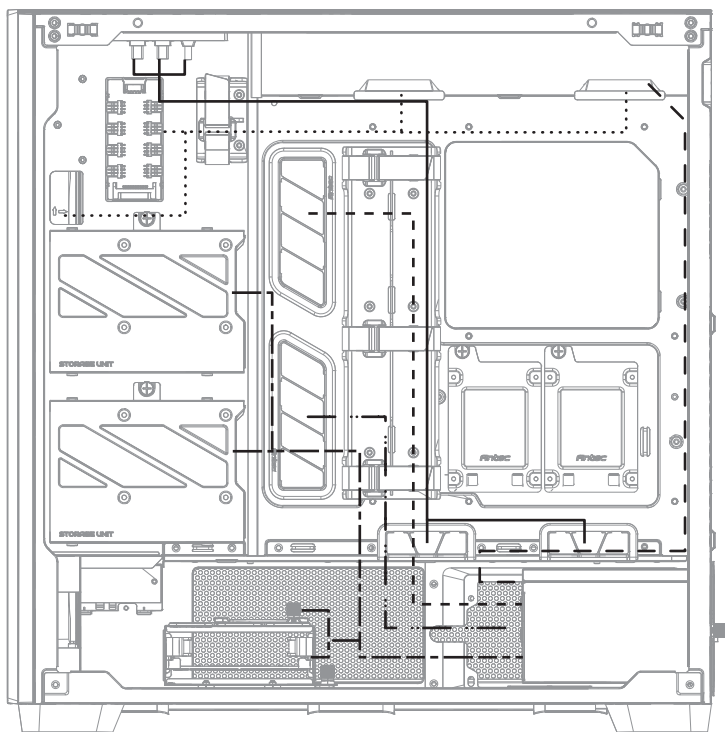
[E] SIDE MOUNT - D



## ROUTING SUGGESTION

Vorschlag Kabelführung | Suggestions d'installation | Suggerimento percorso cavi | Sugerencia de routing | 整線建議 | 整线建议  
| 작업공정 제안 | おススメの配線

### [A] REAR MOUNT



———— I/O cable

- - - - CPU cable

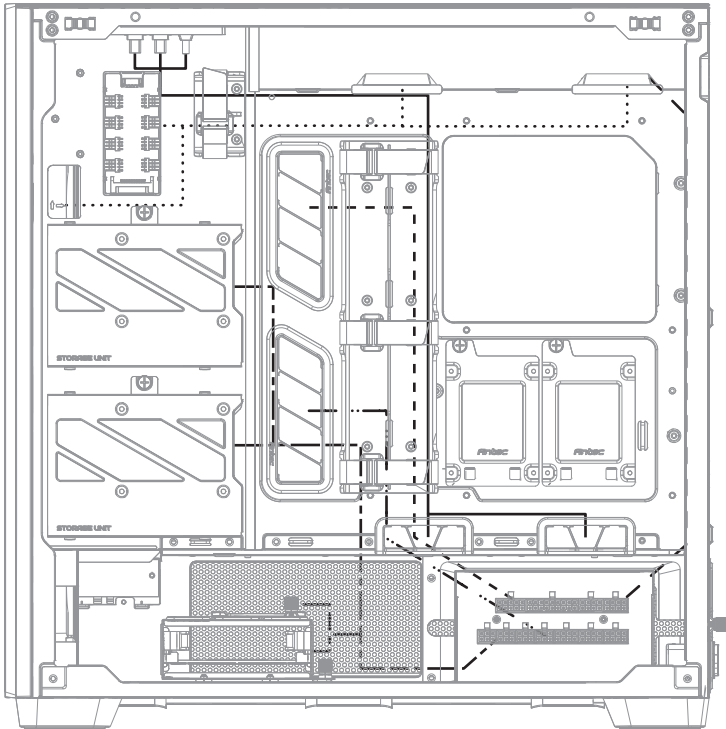
..... Fan cable

- · - · SATA cable

- - - - Motherboard

- · · · GPU cable

[B] SIDE MOUNT



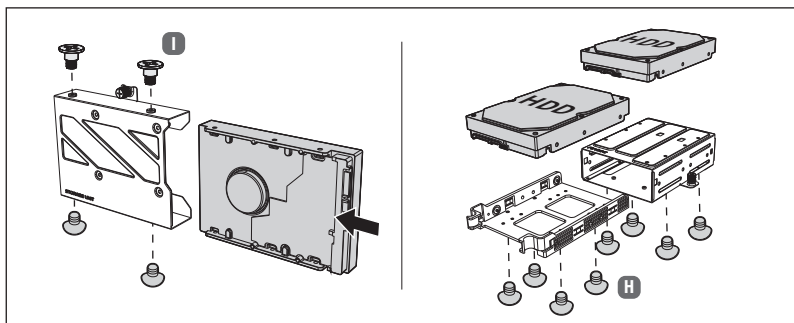
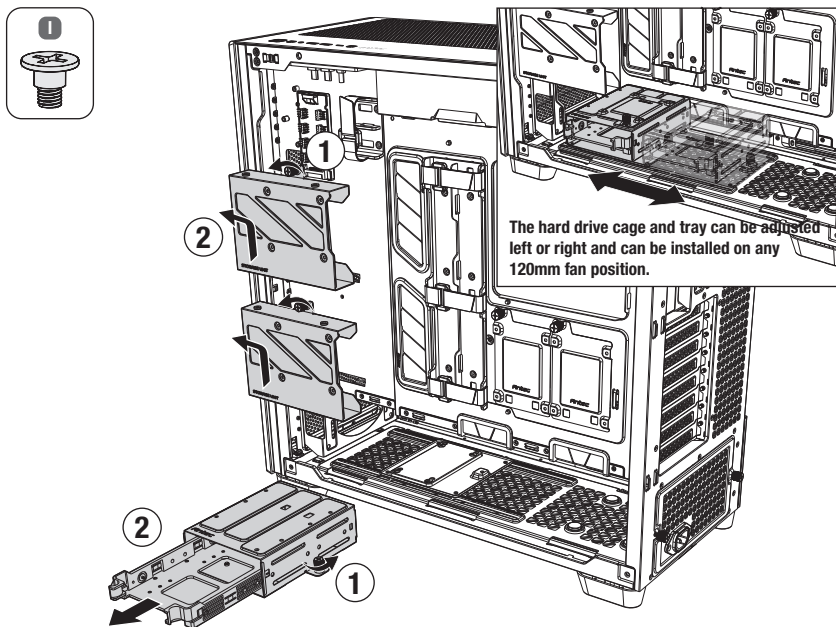
- I/O cable
- ..... Fan cable
- Motherboard
- - - - - CPU cable
- SATA cable
- GPU cable

## HARD DISK INSTALLATION

Festplatteninstallation | Installation des Disques Durs | Istallazione del disco rigido | Instalación de disco duro | 安裝硬碟 | 安裝硬盤 | 하드 디스크 설치 | 하드디스크의設置

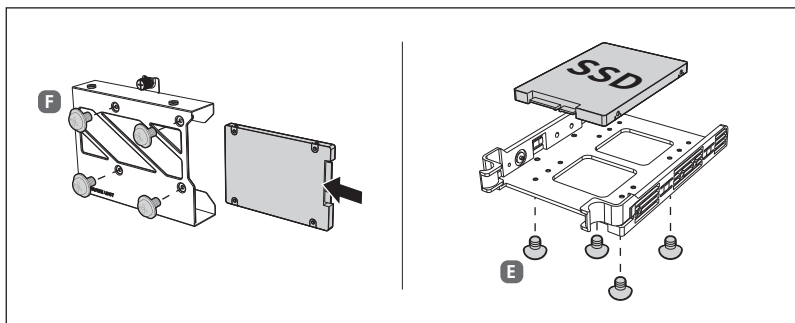
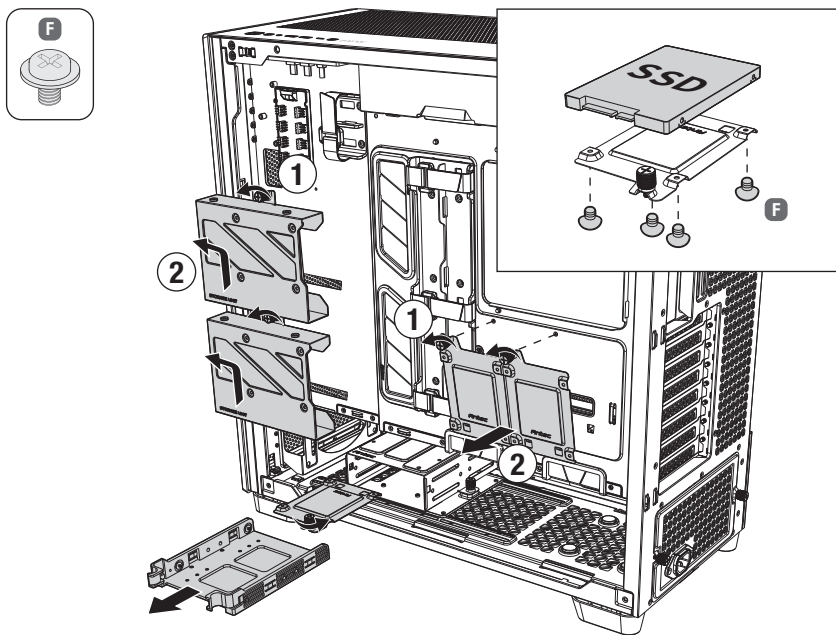
### [A] INSTALLING A 3.5" HARD DISK DRIVE

Installation einer 3,5" Festplatte | Installer un Disque Dur 3,5" | Istallazione di un disco rigido da 3,5" | Instalación de unidad de disco duro de 3,5" | 安裝3.5吋HDD硬盤 | 安裝3.5吋HDD硬盤 | 3.5" 하드 디스크 드라이브 설치 | 3.5인치하드디스크의設置



**[B] INSTALLING A 2.5" SOLID STATE DRIVE**

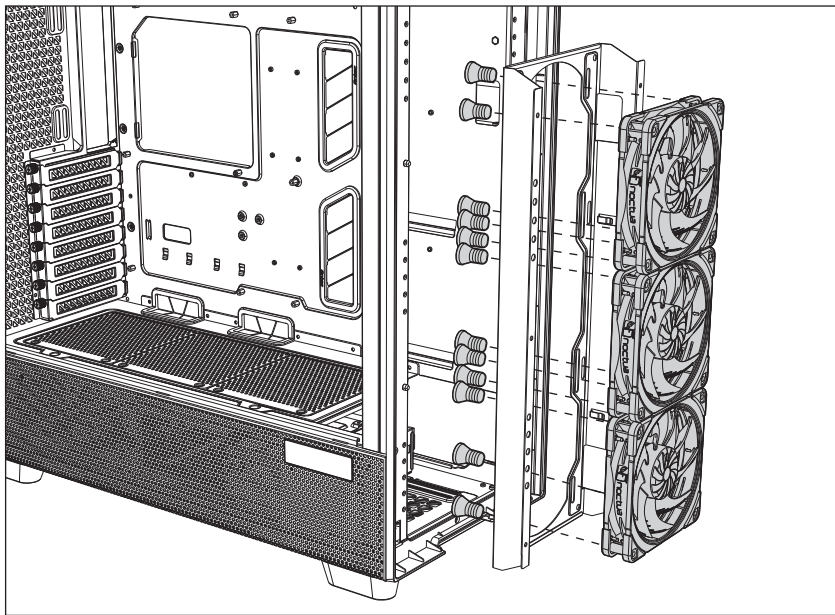
Installation einer 2,5" SSD (Solid State Drive) | Installer un Disque Dur/SSD 2.5" | Installazione di un disco a stato solido da 2.5" | Instalación de disco de estado sólido de 2,5" | 安裝2.5吋SSD固態硬碟 | 安裝2.5吋SSD固態硬盤 | 2.5" SSD 설치 | 2.5英寸ソリッドステートドライブの設置



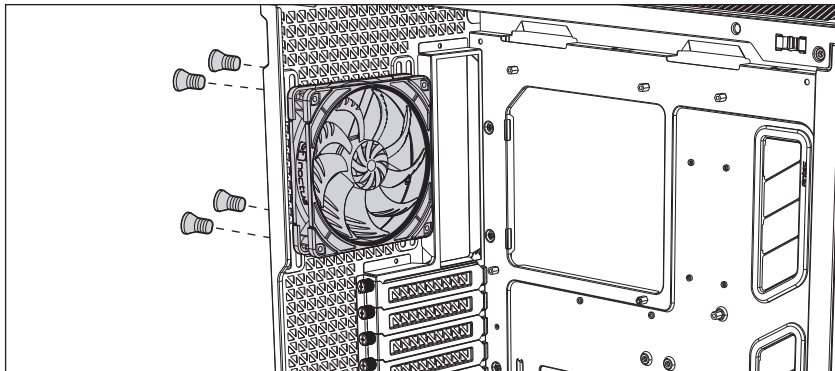
## FAN INSTALLATION

Installation der Lüfter | Installation des Ventilateurs | ISTALLAZIONE DEL VENTILATORE | Instalación de ventilador | 安裝風扇 | 安裝風扇  
| 팬 설치 | 팬의取り付け

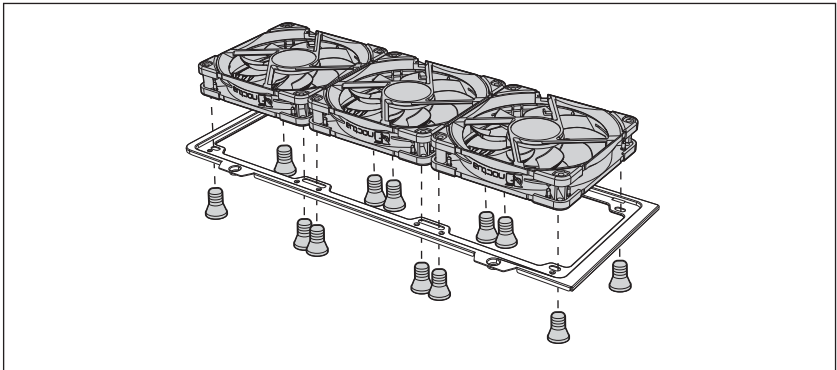
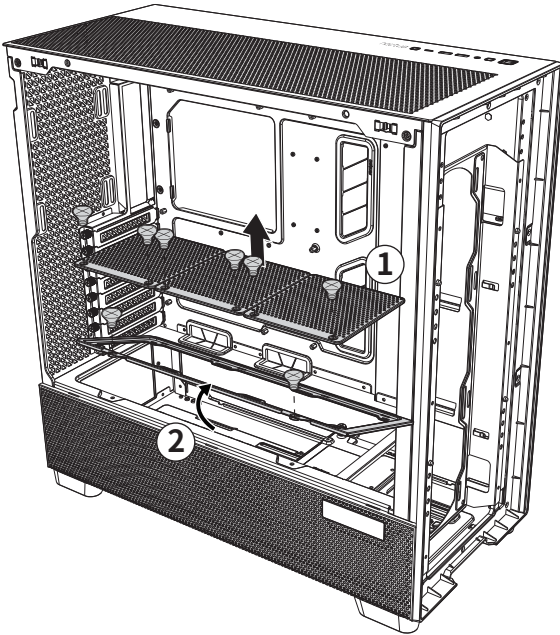
### [A] FRONT FANS



### [B] REAR FAN



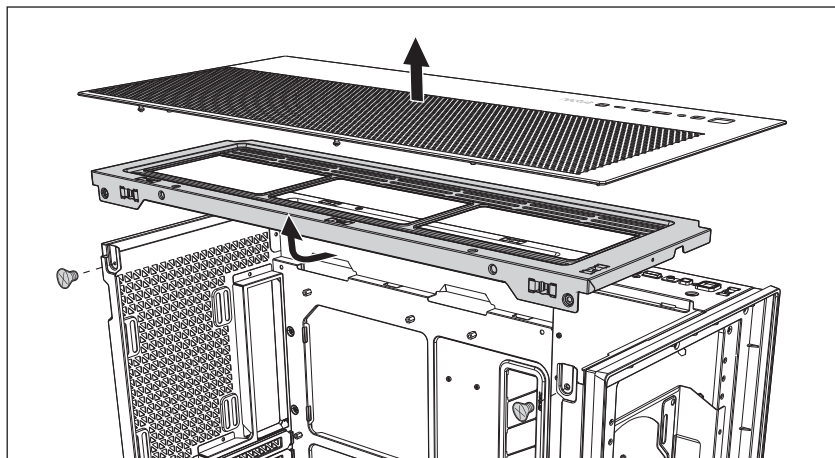
[C] POWER SUPPLY SHROUD FAN



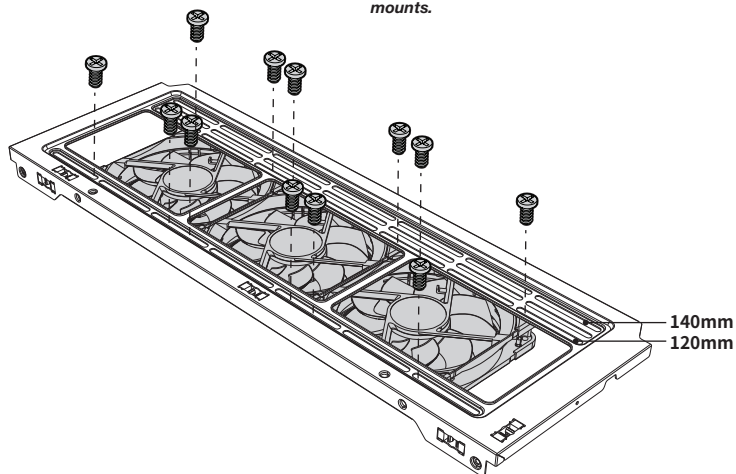
## FAN INSTALLATION

Installation der Lüfter | Installation des Ventilateurs | ISTALLAZIONE DEL VENTILATORE | Instalación de ventilador | 安裝風扇 | 安裝風扇  
| 팬 설치 | 팬의取り付け

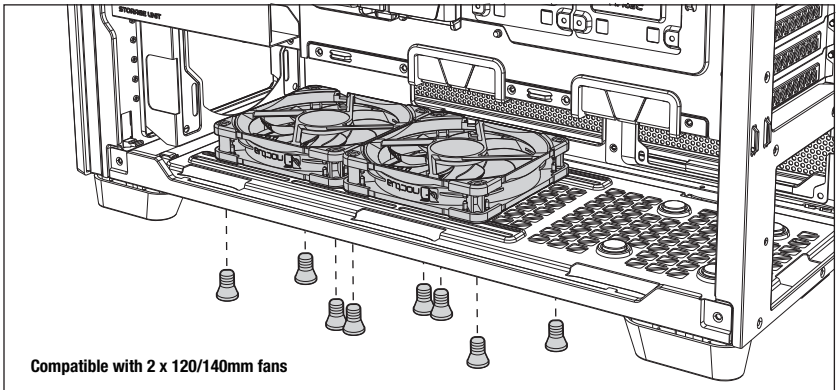
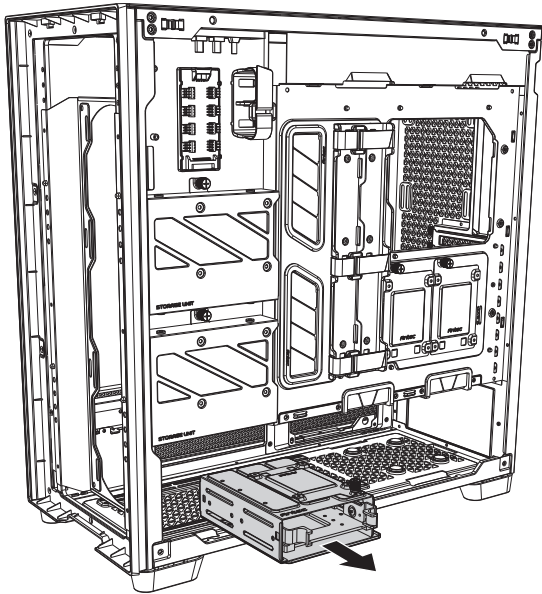
### [D] TOP FANS



*\*The following instructions show how to install fans using fan screws. Please refer to the dedicated fan installation manual that comes with the fan kit for how to install fans using the supplied anti-vibration mounts.*



[E] BOTTOM FANS



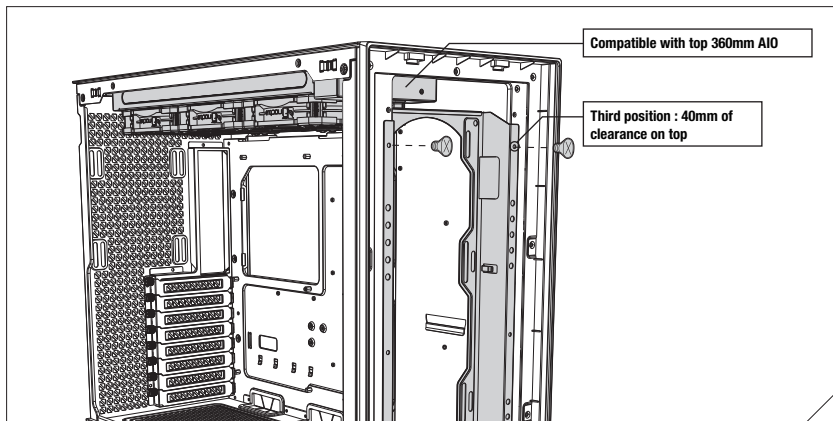
Compatible with 2 x 120/140mm fans

## COOLING BRACKET

Kühlhalterung | Support de refroidissement | Staffa di raffreddamento | Soporte de enfriamiento | 散热支架 | 散热支架 | 냉각 브라켓 | 冷却ブラケット

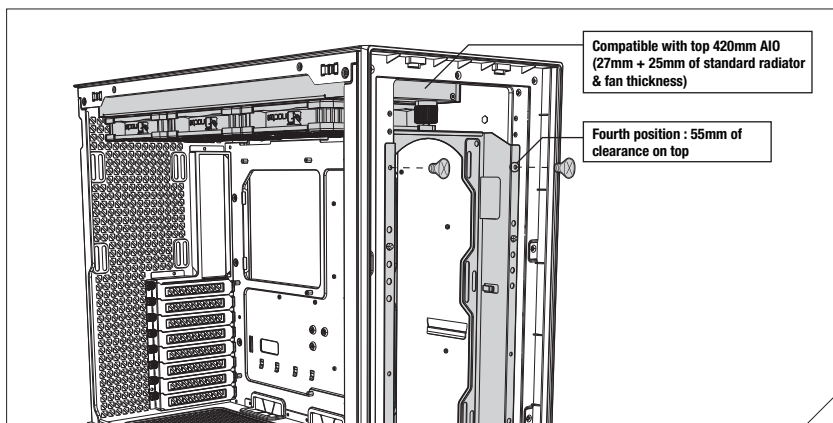
### COOLING BRACKET : THIRD POSITION

Default mount on the third position, compatible with top 360mm radiators.



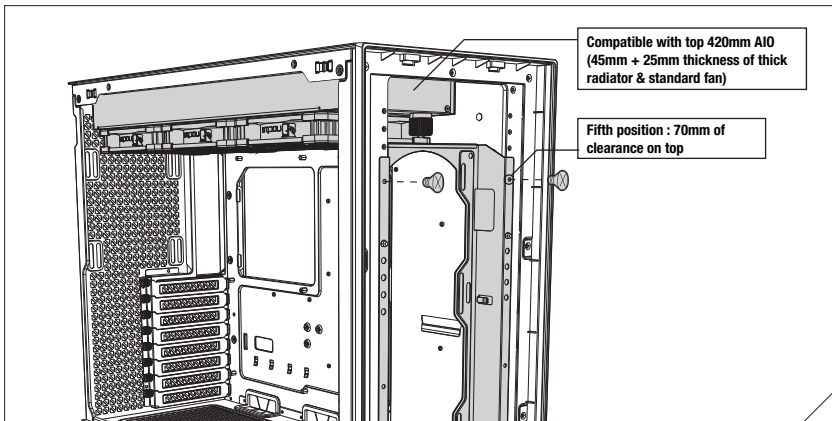
### COOLING BRACKET : FOURTH POSITION

To install a top 420mm radiator, adjust the bracket downwards to the fourth position.



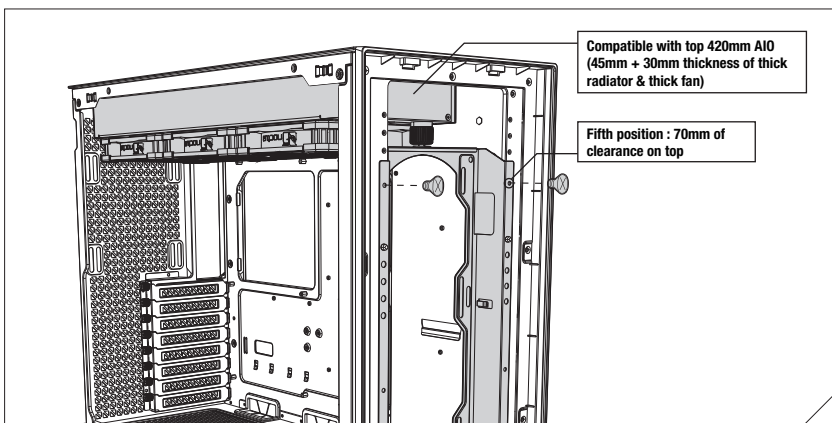
**COOLING BRACKET : FIFTH POSITION (THICK RADIATOR)**

To install a thick 420mm radiator on the top, adjust the bracket downwards to the fifth position.



**COOLING BRACKET : FIFTH POSITION (THICK RADIATOR + THICK FAN)**

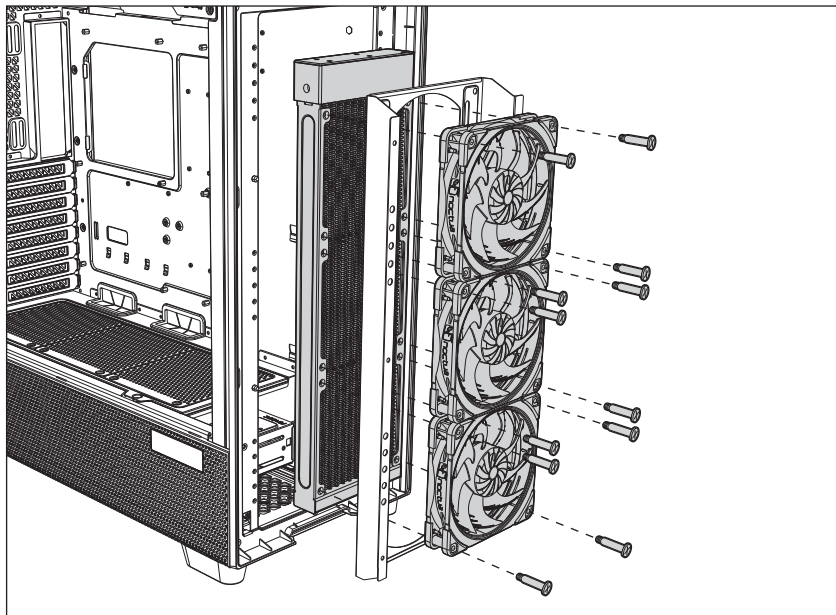
To install a thick 420mm radiator + thick fan on the top, adjust the bracket downwards to the fifth position.



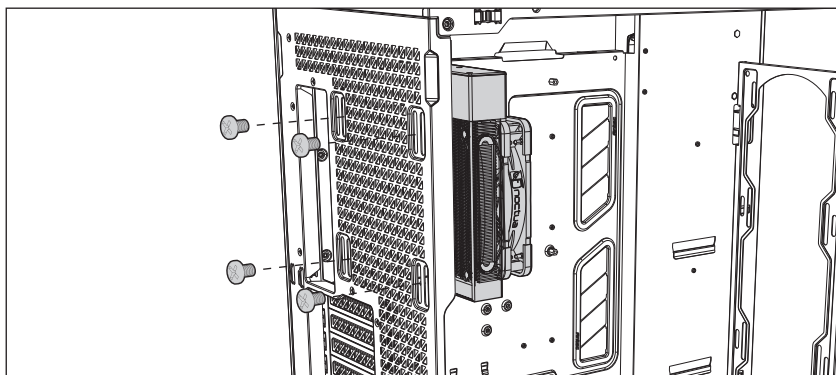
## LIQUID COOLING RADIATOR INSTALLATION

Installation eines Wasserkühlungs-Radiators | Installation des Radiateurs Watercooling | Installazione del radiatore di raffreddamento liquido | Instalación de radiador de refrigeración líquida | 安裝水冷散熱器 | 安裝水冷散熱器 | 액체 냉각 라디에이터 설치 | 液体冷却ラジエーターの設置

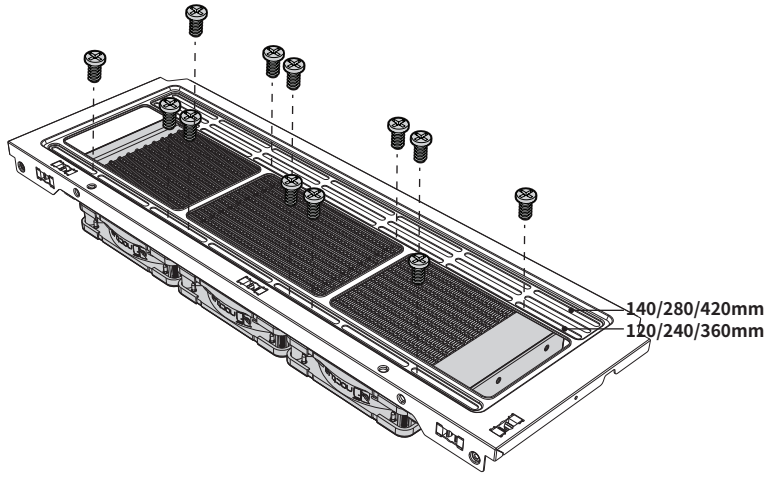
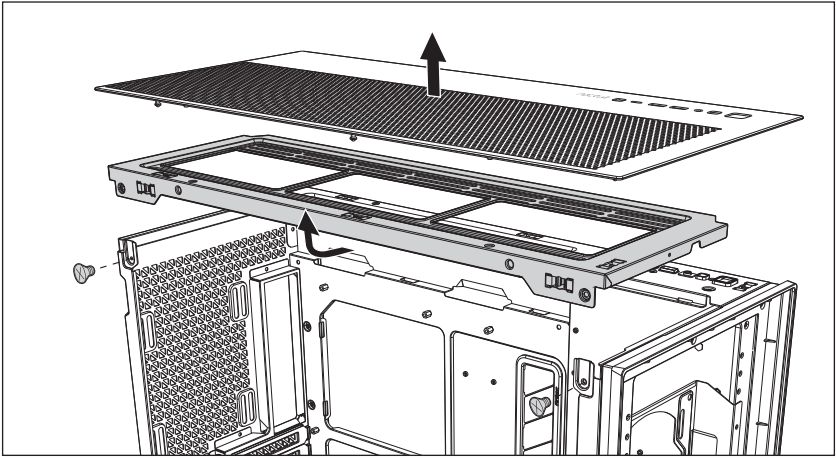
### [A] FRONT RADIATOR



### [B] REAR RADIATOR



[C] TOP RADIATOR

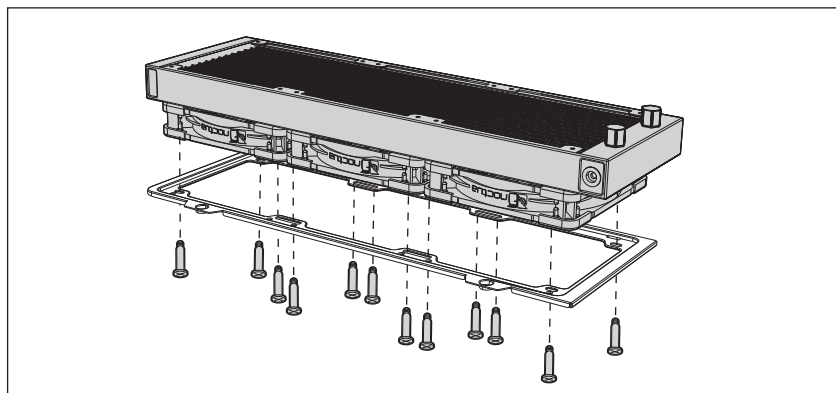
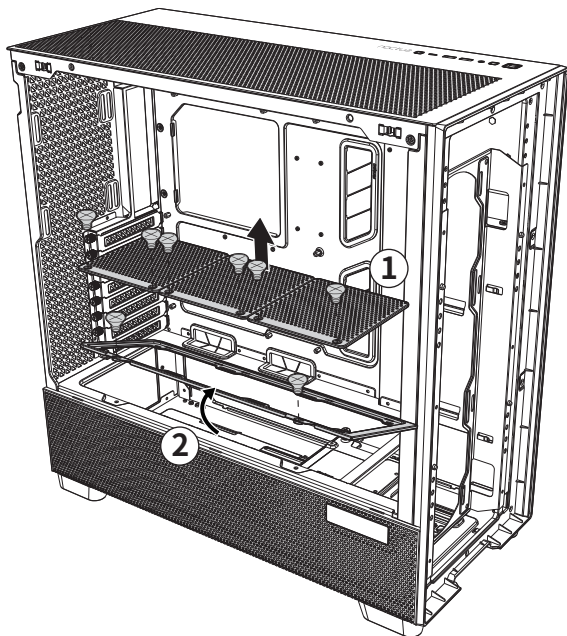


FLUX PRO NOCTUA EDITION

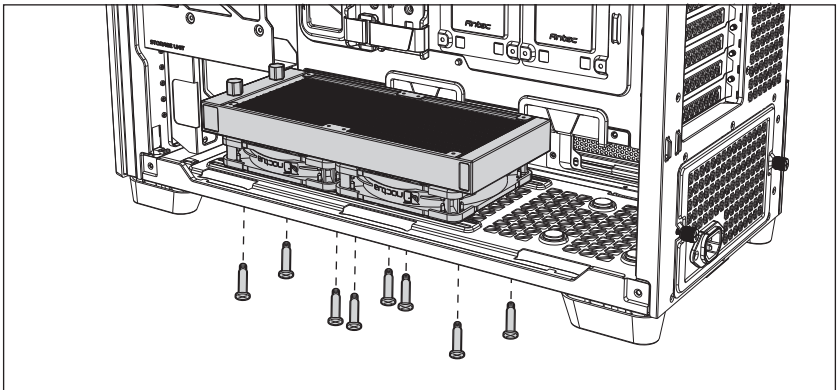
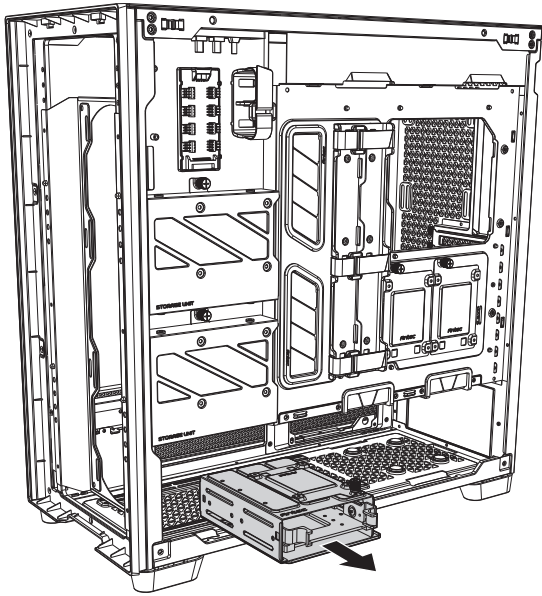
## LIQUID COOLING RADIATOR INSTALLATION

Installation eines Wasserkühlungs-Radiators | Installation des Radiateurs Watercooling | Installazione del radiatore di raffreddamento liquido | Instalación de radiador de refrigeración líquida | 安裝水冷散熱器 | 安裝水冷散熱器 | 액체 냉각 라디에이터 설치 | 液体冷却ラジエーターの設置

### [D] POWER SUPPLY SHROUD RADIATOR



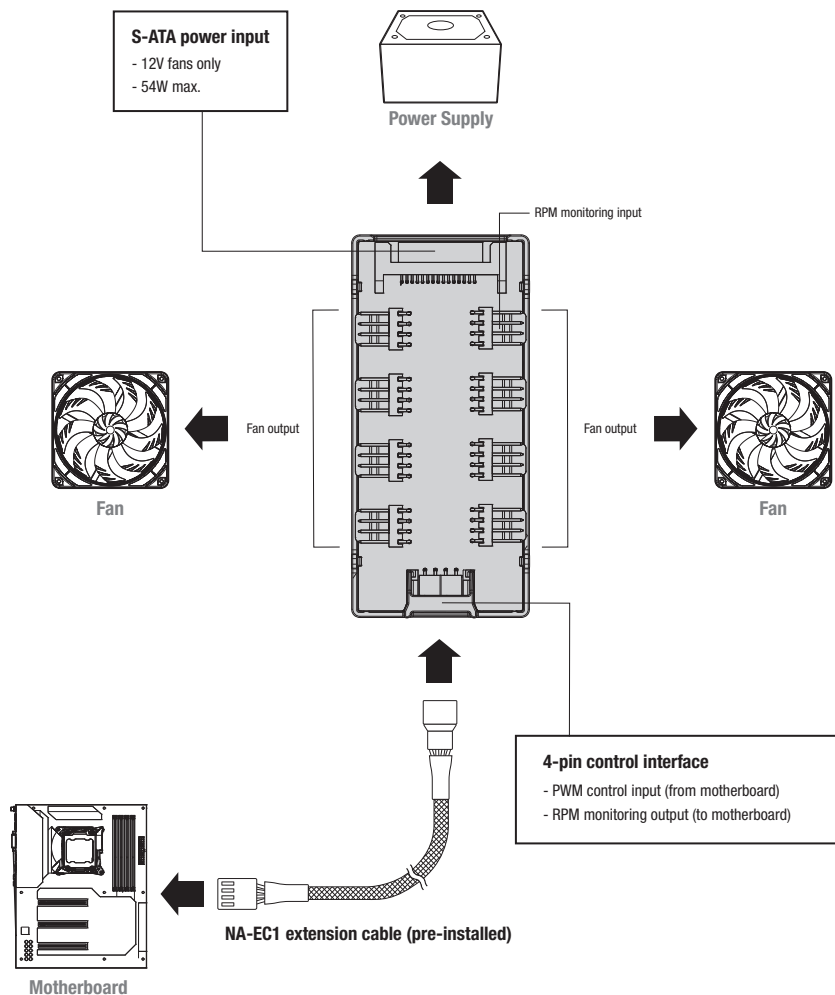
[E] BOTTOM RADIATOR



FLUX PRO NOCTUA EDITION

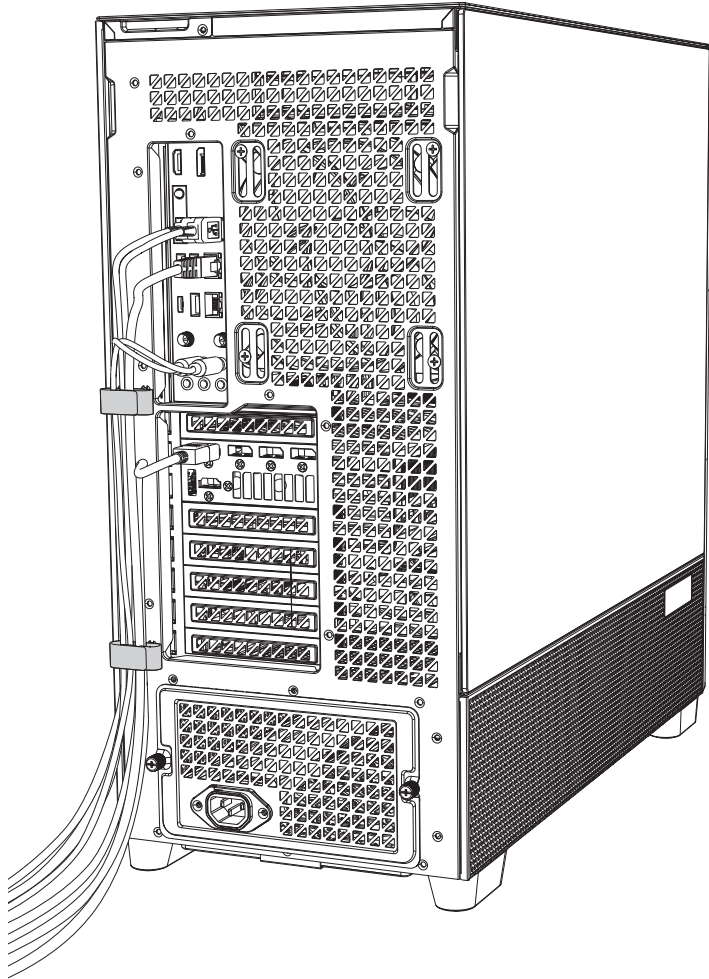
## NOCTUA NA-FH1 PWM FAN HUB CONNECTIONS

Lüftersteuerung | Contrôleur de ventilateur | Controller di ventilatore | Controlador de ventilador | 多功能風扇控制器 | 多功能風扇控制器  
器 | PWM 팬 허브 연결방법 | PWM 팬 연결용의 멀티허브



**CABLE MANAGEMENT IN THE BACK**

Kabelmanagement hinten | Cable management arrière | Gestione cavi nella parte posteriore | Organización del cableado atrás | 後方  
 整線區 | 后方整線區 | 후면 선정리 | 리아의配線



FLUX PRO NOCTUA EDITION

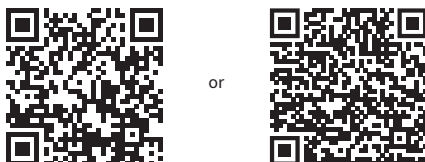
## SOFTWARE FUNCTION

Softwarerfunktion | Fonction du logiciel | Funzione del software | Función del software | 軟體功能 | 软件功能 | 소프트웨어 기능 | ソフトウェアの機能

### [A] TEMPERATURE DISPLAY SOFTWARE

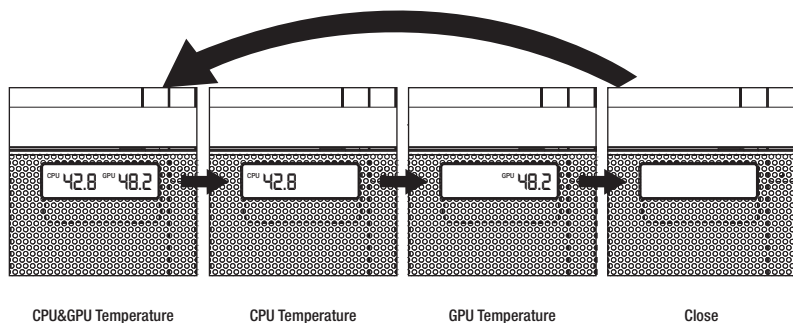
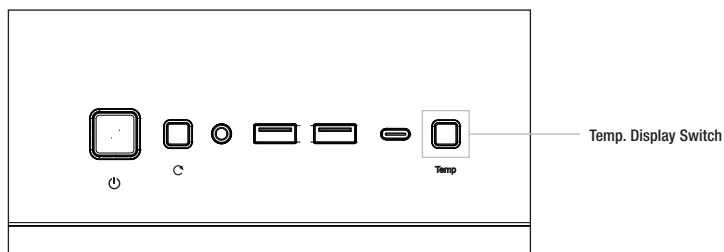
Download the software via the QR code.

(Temp. Display Screen requires installing the software before using)



### [B] TEMPERATURE DISPLAY PANEL

Press the temp. display switch button to change the temperature display.



[C] ANTEC IUNITY UI INTRODUCTION

Monitor the temperatures of the hardware and provide instant data.

